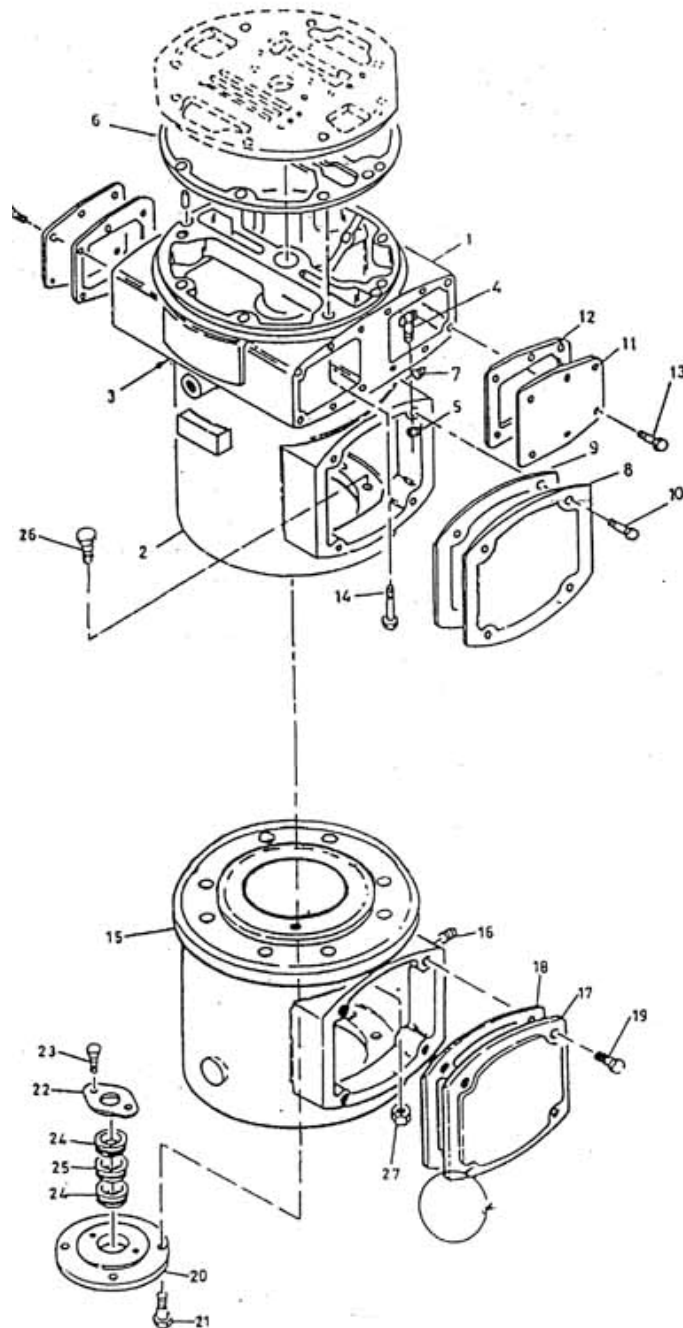


## 16. ASSEMBLY HEAD FRAME & DIST. PIECE - MODEL 9.5 x 5 NL



All manufacturer's names, numbers, photos, product description and/or part numbers are used for reference purposes only & it is not implied that any part listed is the product of these manufacturers. Since Approvement are made from time to time, the illustration and specifications are subject to change without notice.

## 16. ASSEMBLY HEAD FRAME & DIST. PIECE - MODEL 9.5 x 5 NL

No.	Description	Ref Part No.	QTY
–	Assembly Head Frame & Dist. Piece	70426366	–
1	– Head Frame	97065692	1
2	– Distance Piece	42003145	1
3	– Gasket Distance Piece	40514507	1
4	– Stud 3/4" X 3-1/4"	95737417	8
5	– Nut Hex 3/4"	95077822	8
6	– Gasket Frame Head	39542105	1
7	– Plug Pipe Sq. Hd 1/4"	95033593	2
8	– Cover Distance Piece	30184261	1
9	– Gasket Cover Distance Piece	30562698	1
10	– Screw Cap Hex 1/2" X 1"	95104147	4
11	– Cover Valve	37087939	4
12	– Gasket Cover	39550025	4
13	– Screw Cap Hex 1/2" X 1"	95104147	24
14	– Screw Cap Frame Head 5/8" X 2-3/4"	37795184	8
15	– Distance Piece	30747570	1
16	– Plug Pipe Sq. Hd 3/8"	95033601	2
17	– Cover Distance Piece	30184261	1
18	– Gasket Cover Distance Piece	30562698	1
19	– Screw Cap Hex 1/2" X 1"	95104147	4
20	– Stuffing Box	37085925	1
21	– Screw Cap Hex 3/8" X 1"	95035333	4
22	– Plate Partition Scrpr	37087970	1
23	– Screw Cap Hex Head 3/8" X 3/4"	95103743IM	2
24	– Ring Scrapper	95009189IM	2
25	– Ring Scrapper	95018487IM	1
26	– Screw Cap Hex Head 5/8" X 2-3/4"	95104451	8
27	– Nut Hex 5/8"	95077814	8

All manufacturer's names, numbers, photos, product description and/or part numbers are used for reference purposes only & it is not implied that any part listed is the product of these manufacturers. Since Approvement are made from time to time, the illustration and specifications are subject to change without notice.