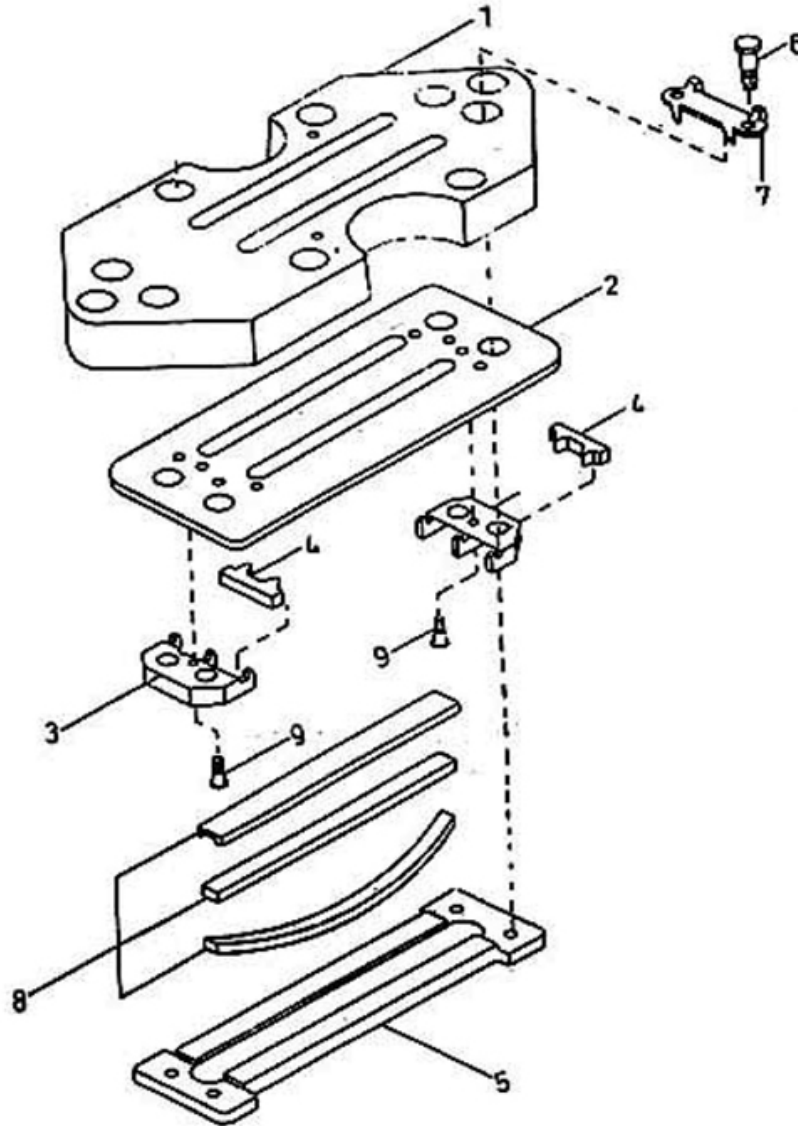


## 21. ASSEMBLY VALVE INLET - MODEL 9 x 7 NL



All manufacturer's names, numbers, photos, product description and/or part numbers are used for reference purposes only & it is not implied that any part listed is the product of these manufacturers. Since Approvement are made from time to time, the illustration and specifications are subject to change without notice.

## 21. ASSEMBLY VALVE INLET - MODEL 9 x 7 NL

No.	Description	Ref Part No.	QTY
–	Assembly Valve Inlet	37020419	–
1	– Seat Valve	37074762	1
2	– Seat Plate	37021581IM	1
3	– Holder Guide	31535867IM	2
4	– Guide Valve	37041324	8
5	– Stop Plate	30252944	1
6	– Bolt Hex Head 1/4" X 1-1/2"	95105466	6
7	– Washer Lock	31225485	2
8	– Channel & Spring Set	30504450IM	1
9	– Screw Guide	31208549IM	4