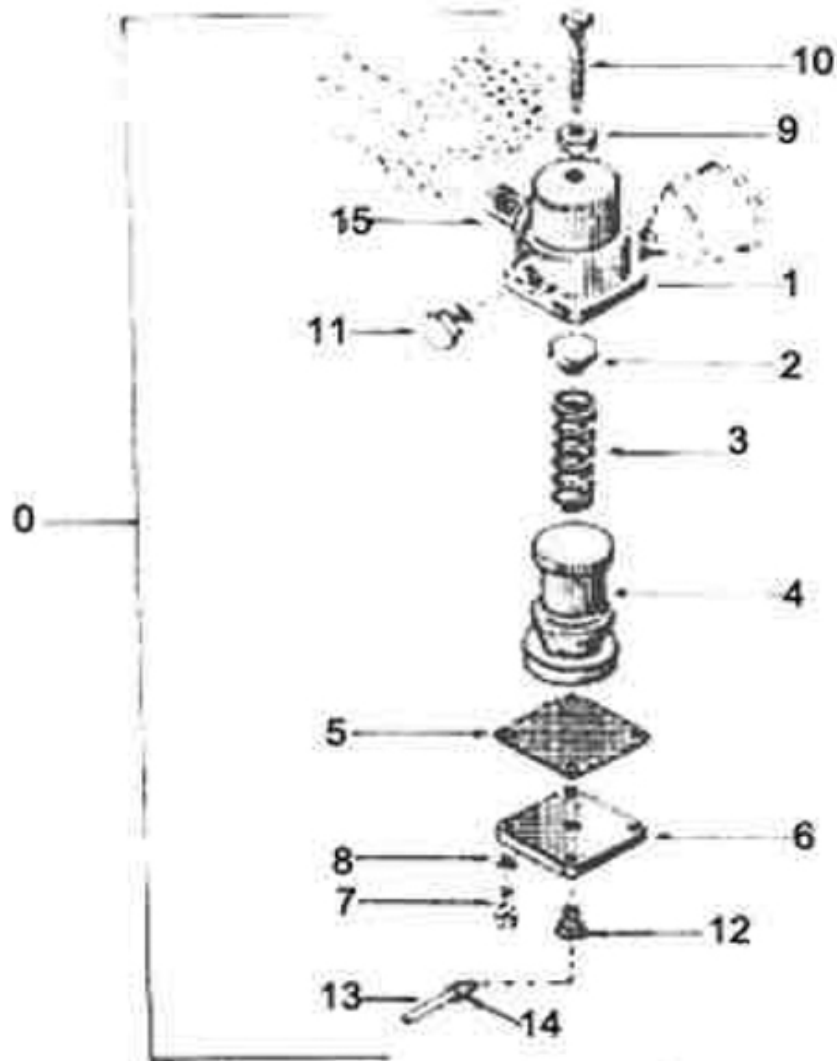


4. PRESSURE CONTROLLER - MODEL 253



All manufacturer's names, numbers, photos, product description and/or part numbers are used for reference purposes only & it is not implied that any part listed is the product of these manufacturers. Since Approvement are made from time to time, the illustration and specifications are subject to change without notice.

4. PRESSURE CONTROLLER - MODEL 253

No.	Description	Ref Part No.	QTY
4-0	Pressure Controller Complete	30210702	1
4-1	– Body	30296040	1
4-2	– Washer Spring	30220859	1
4-3	– Spring Up to 125 PSIG	30671812	1
4-3	– Spring Above 125 PSIG	30673198	1
4-4	– Valve	30220768	1
4-5	– Diaphragm	30296040	1
4-6	– Cover	30211262	1
4-7	– Capscrew	95079612	4
4-8	– Washer Spring	95081857	4
4-9	– Nut	95077798	1
4-10	– Screw Spring Adjusting	30290811	1
4-11	– Plug Body	30284863	2
4-12	– Elbow Tube	95031860	1
4-13	– Tube	32020489	3FT
4-14	– Nut Tube	95229027	2
4-15	– Nipple Close	94466026	1