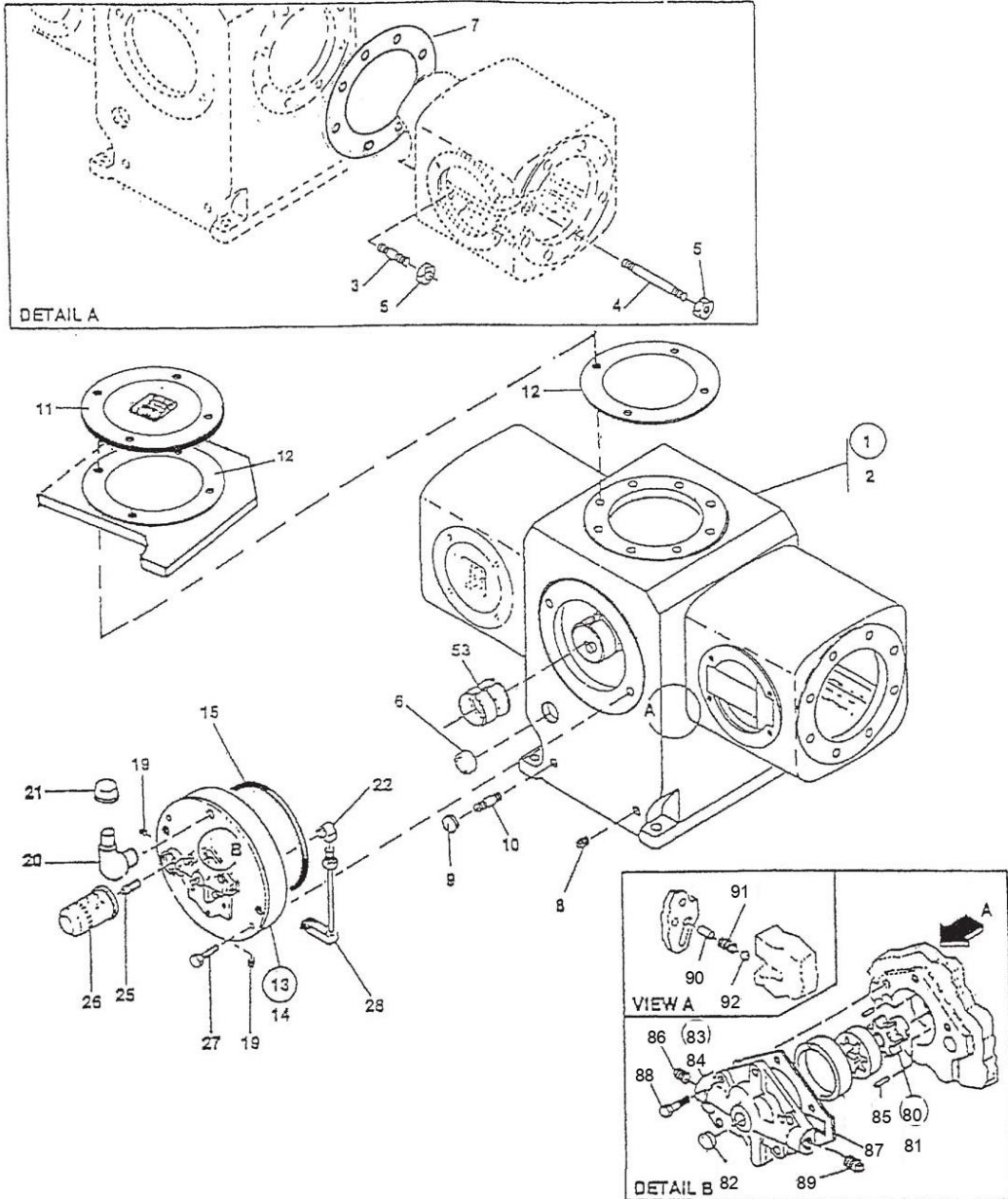


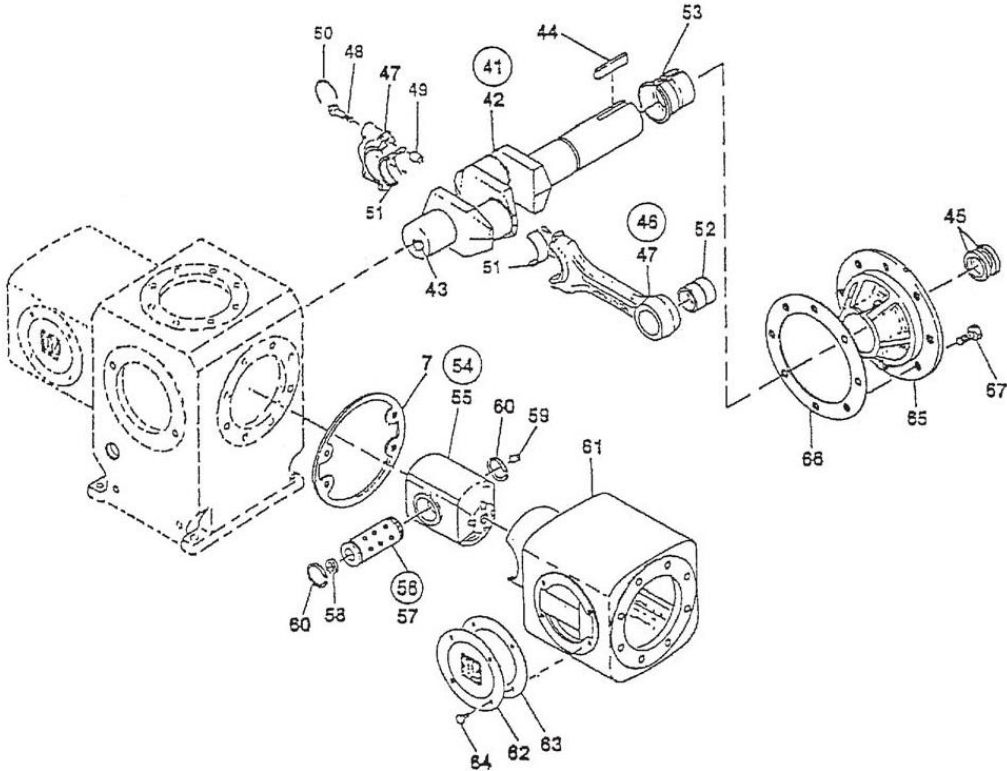
# 1 FRAME & RUNNING GEAR - MODEL - 14 & 14 X 7 PHE NL

**FIGURE 2 (SHEET 1)  
FRAME & GEAR**



**1 FRAME & RUNNING GEAR - MODEL - 14 &  
14 X 7 PHE NL**

**FIGURE 2 (SHEET 2)  
FRAME & GEAR**



# 1 FRAME & RUNNING GEAR - MODEL - 14 & 14 X 7 PHE NL

Sr.No	Description	Ref Part Nos	Qty
-	. . FRAME & RUNNING GEAR IHE-7 NL	<b>40087512I</b>	1
-	. . . FRAME COMPLETE IHE	<b>70315353P</b>	1
1-1	. . . . FRAME PHE-7 STANDARD	39781521	1
-	. . . . O-RING 1 X 1-1/4 X 1/8	95018024	2
1-3	. . . . STUD 3/4IN X 3-1/2IN	95593653	8
1-5	. . . . NUT HEX 3/4 UNC ESV	95077822	8
1-7	. . . . GASKET FRAME PHE-7	39583869	2
1-6	. . . . GLASS OIL LEVEL	39137245	1
1-11	. . . . COVER DISTANCE PIECE	39464615	1
1-12	. . . . GASKET COVER DISTANCE PIECE	39535216	1
1-4	. . . . STUD 3/4IN X 9-5/8 L	95745766	8
1-5	. . . . NUT HEX 3/4 UNC ESV	95077822	8
-	. . . . SCREW CAP HEX HEAD 3/4 X 1	95104592	4
-	. . . . <b>ASSEMBLY DRAIN 5" &amp; 7" STROKE ESV</b>	<b>42117838</b>	1
1-9	. . . . . CAP PIPE SCREWED 1/2 IHE	97070213	1
1-10	. . . . . NIPPLE PIPE 1/2IN X 4IN	95097424	1
1-8	. . . . PLUG PIPE SQ.HD.3/4"NPT CS BLACK	95002143	2
-	. . . . PLUG 1-1/4 NPT SQ.HEAD	95033569	1
-	. . . <b>ASSEMBLY HOUSING MAIN BEARING FOR IHE</b>	<b>70427059</b>	1
1-14	. . . . HOUSING MB WITH BUSH	42168690	1
1-19	. . . . PLUG COUNTER SHUNK 3/8IN NPT	95101705	2
-	. . . . PLATE ROTATION 5IN ESV S.S.	39516646	1
-	. . . . SCREW MACHINE 0.114" X 0.25"	39175070	2
1-27	. . . . SCREW CAP HEX HEAD 3/4 X 4	95104709	2
1-15	. . . . O-RING 14 X 14-1/2 X 1/4	95018370	1
1-22	. . . . ELBOW MAIN BEARING HOUSING-0.50 NPT	94425162	1
1-26	. . . . FILTER OIL	30472161	1
1-25	. . . . ADAPTER OIL FILTER	30179220	1
1-21	. . . . CAP BREATHER	30557888	1
1-20	. . . . BREATHER ELBOW CAST AL.	39314323	1
1-53	. . . . BUSH MBH 7ESV	30557565	1
-	. . . <b>ASSEMBLY PIPE OIL SUCTION FOR IHE</b>	<b>70427000</b>	1
-	. . . . PIPE WITH SCREEN FOR OIL SUCTION	94414612	1
-	. . . . NUT CONNECTOR	97076277	1
-	. . . <b>ASSEMBLY OIL PUMP COVER FOR IHE</b>	<b>70427018</b>	1
1-84	. . . . COVER LUBRICATOR OIL PUMP WITH BUSH	39863683	1
1-90	. . . . PIN ROLL 5/16 X 1	95098653	1
1-86	. . . . PLUG PIPE SQ.HD 1/2 NPT CS BLACK	95033619	1
1-87	. . . . GASKET COVER OIL PUMP	30205280	1
-	. . . . SCREW CAP HEX HEAD 7/16 X 1 INCH	95104006IM	5
-	. . . . PLUG COUNTER SHUNK 3/8IN NPT	95101705	1
1-85	. . . . PIN DOWEL -OIL PUMP-1/4DX1L	95033825	1
1-91	. . . . SPRING VALVE RELIEF	30508741IM	1
1-92	. . . . BALL RELIEF VALVE, 1/2 INCH, E52100	95320446	1
-	. . . <b>ASSEMBLY OIL PUMP NL FOR IHE</b>	<b>70427026</b>	1
1-23	. . . . SPRING VALVE RELIEF	30508741	1
1-24	. . . . BALL RELIEF VALVE, 1/2 INCH, E52100	95320446	1

# 1 FRAME & RUNNING GEAR - MODEL - 14 & 14 X 7 PHE NL

–	. . . . ASSEMBLY OIL PUMP ESV	<b>30427140</b>	1
1-81	. . . . SHAFT DRIVE OIL PUMP	37141041	1
1-81	. . . . RING LOCATING - OIL PUMP	37141058	1
1-81	. . . . ROTOR INNER GEAR IDLER 5 & 7 ESV	97059414	1
1-81	. . . . ROTOR OUTER GEAR DRIVE 5 & 7 ESV	97059422	1
–	. . . . COVER SHAFT	30253892	1
–	. . . ASSEMBLY CRANKSHAFT IHE WITH KEY	<b>39642731</b>	1
1-42	. . . . CRANKSHAFT 7 INCH IHE/PHE	39781364	1
1-43	. . . . PIN DOWEL CRANKSHAFT	39781364	1
1-44	. . . . KEY CRNKSHFT 7/8INCH X 4.5INCH	95545679	1
–	. . . ASSEMBLY ROD CONNECTING FOR IHE	<b>70427034</b>	2
1-47	. . . . ROD CONNECTING 7 WITH CAPBUSH & BOLT	42156448	1
1-51	. . . . BUSHING CONNECTING ROD	30557532	1
1-52	. . . . BUSHING CRANKPIN 7ESV	30557540	1
1-50	. . . . WIRE LOCKING ESV	37605177	1.5
–	. . . ASSEMBLY CROSSHEAD 7" IHE	<b>70427042</b>	2
1-60	. . . . RING RETAINER	30576136IM	2
1-55	. . . . CROSSHEAD 7" STROKE	30559736	1
<b>1-56</b>	. . . . ASSEMBLY PIN CROSS HEAD	<b>37087707</b>	1
1-57	. . . . PIN CROSS HEAD	90732538	1
1-58	. . . . PLUG CROSS HEAD PIN	30206940	1
1-59	. . . . PLUG 1/4	95250932	1
–	. . . ASSEMBLY HOUSING M.B. DRIVE END	<b>70315361</b>	1
1-65	. . . . HOUSING M.B. DRIVE END IHE	39535489	1
1-67	. . . . SCREW CAP HEX HEAD 3/4 X 1-3/4	95104642	8
1-68	. . . . GASKET BRG HSG DRIVE SIDE	39535224	1
1-53	. . . . BUSH MBH 7ESV	30557565	1
1-45	. . . . SEAL OIL CRANK SHAFT	37794377	2
–	. . . ASSEMBLY DISTANCE PIECE & GUIDE IHE	<b>70421912</b>	2
1-61	. . . . DISTANCE PIECE & GUIDE	39781430	1
1-62	. . . . COVER DISTANCE PIECE	39464615	1
1-63	. . . . GASKET COVER DISTANCE PIECE	39535216	2
–	. . . . COVER DISTANCE PIECE WITH GUIDE	70421557	1
1-64	. . . . SCREW CAP HEX HEAD 3/4 X 1	95104592	8
–	. . . . PLUG PIPE SQ.HD. 1/4 NPT	95033593	1

All manufacturer's names, numbers, photos, product description and/or part numbers are used for reference purposes only & it is not implied that any part listed is the product of these manufacturers. Since Approvement are made from time to time, the illustration and specifications are subject to change without notice.