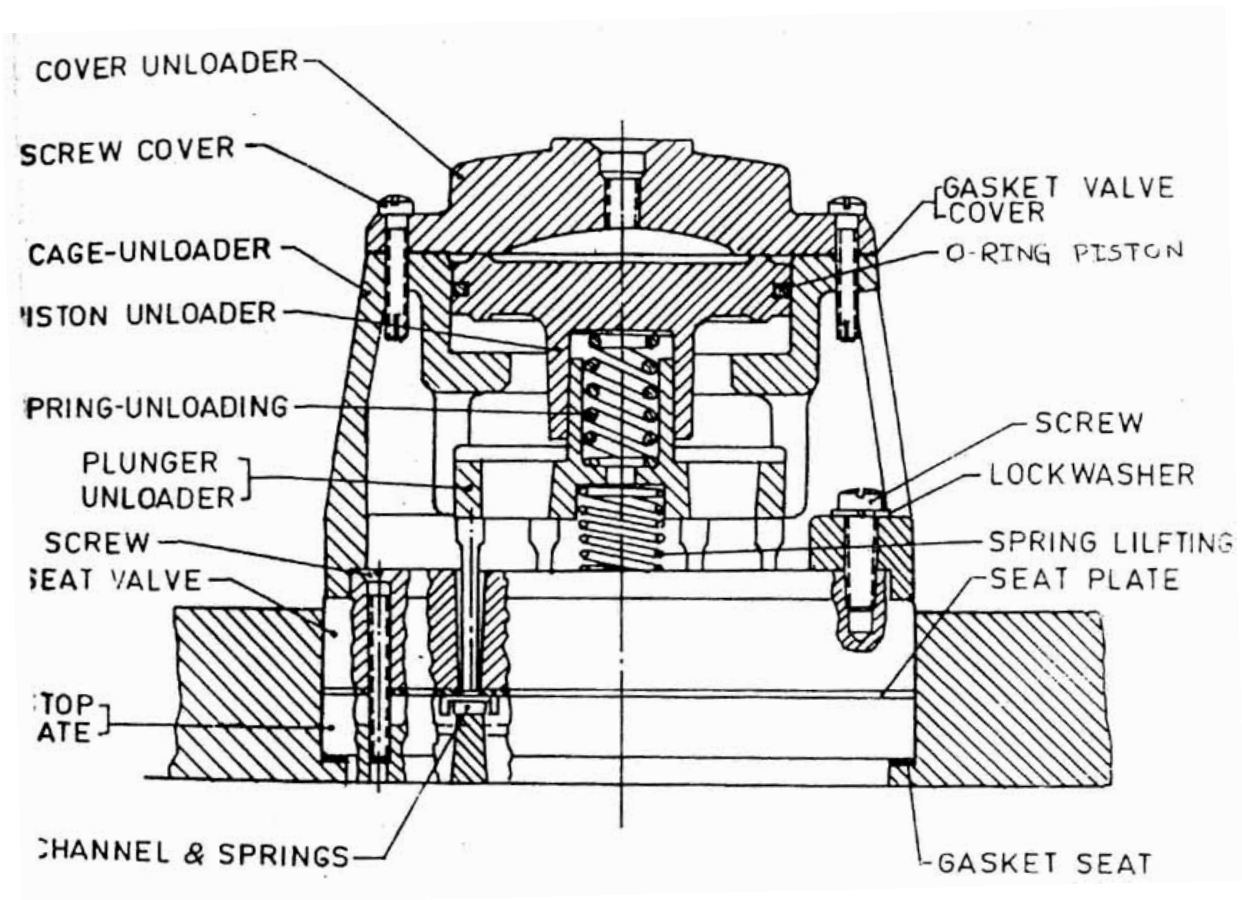


8. A43 VALVE INLET - MODEL 16 & 9B X 7 IHE NL



All manufacturer's names, numbers, photos, product description and/or part numbers are used for reference purposes only & it is not implied that any part listed is the product of these manufacturers. Since Approvement are made from time to time, the illustration and specifications are subject to change without notice.

8. A43 VALVE INLET - MODEL 16 & 9B X 7 IHE NL

No.	Description	Ref Part No.	QTY
-	VALVE INLET COMPL	A43C1WSE	-
-	SEAT INLET VALVE COMPL	A43CN3WSR	1
-	SEAT BARE	A43CN83	1
-	PLATE SEAT	A43C18WS	1
-	HOLDER GUIDE	1W89616	2
-	GUIDE	1W89610	10
-	SCREW GUIDE HOLDER	1W89606	4
-	STOP PLATE	A43C5EWS	1
-	BALLANCER FLO.	X1559T2	2
-	BALLANCER BARE	X1559T2X	2
-	WASHER	1W89633	2
-	SET CHANNEL & SPRINGS	A43C33WS	-
-	CHANNEL	NP	2
-	CHANNEL	NP	2
-	CHANNEL	NP	1
-	SPRING	NP	2
-	SPRING	NP	2
-	SPRING	NP	1
-	WEAR STRIP	NP	2
-	WEAR STRIP	NP	2
-	WEAR STRIP	NP	1
-	MACHINE SCREW	77A2S1D1	2
-	-- UNLOADER	X1334TA43A	-
-	-- UNLOADER CAGE	1R15252P1	2
-	-- COVER UNLOADER	1W1163P7	2
-	-- PLUNGER UNLOADER	1W26142A	2
-	-- GASKET COVER FAU	1W26133	2
-	-- SPRING	PP391	2
-	-- SPRING PLUNGER	PP579	2
-	-- RING PISTON	X1244T3DIM	4
-	-- MACH. SCREW SS FILHD1	87A2S149	4
-	-- MACH. SCREW SS	87A2S147	4
-	-- WASHER	14A5S55	4