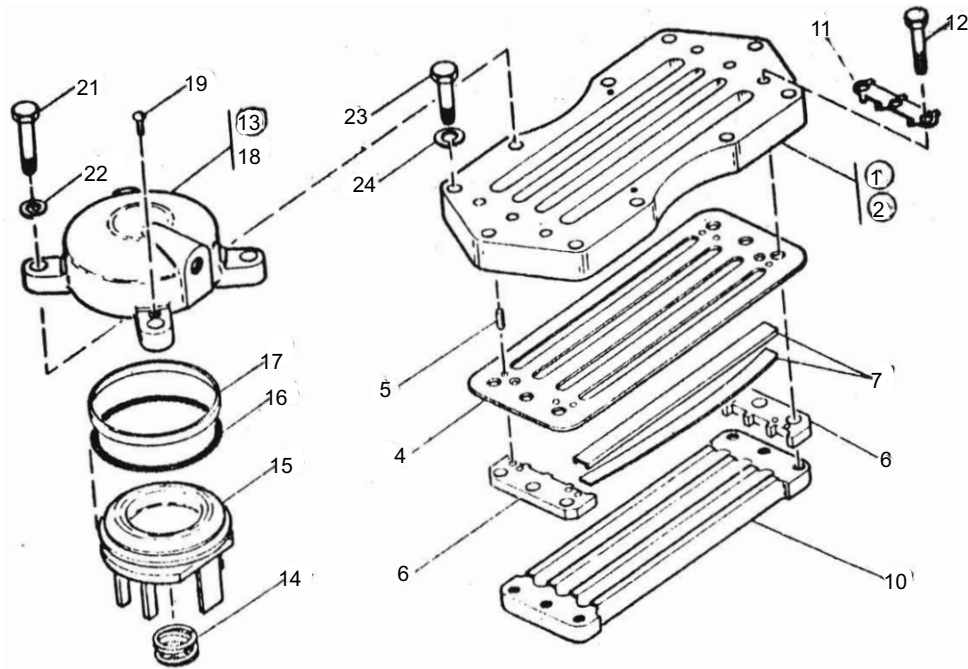


# A465PC1 - VALVE FAU & INLET



No.	Description	Ref Part No.	QTY
<b>1</b>	<b>Valve-Inlet Complete</b>	<b>A465PC1</b>	–
2	– Seat-Inlet	A465PC3	1
4	– Plate-Seat	A465PC18	1
6	– Guide	A465PC16	2
5	– Dowel	26A13F501	4
10	– Plate-Stop	A465PC5	1
12	– Capscrew	35A2D9	6
11	– Lock-Bolt	1W71948	2
7	– Set Channels & Spring	A465PC33	1
23	– Capscrew	35A2D60	6
24	– Lockwasher	14A5C64	6
<b>13</b>	<b>– Unloader Free Air Complete</b>	<b>X1462TA465CC</b>	–
18	– – Cage	1R42366	1
15	– – Plunger	1R28496-A	1
14	– – Spring	PP705	1
16	– – "O" Ring	20A11BM333	1
17	– – Ring-Piston	1W68436	1
21	– – Capscrew	35A2C63	4
22	– – Lockwasher	14A5C65	4
19	– – Screw-Rd Hd	83A2C29	2

All manufacturer's names, numbers, photos, product description and/or part numbers are used for reference purposes only & it is not implied that any part listed is the product of these manufacturers. Since Approvement are made from time to time, the illustration and specifications are subject to change without notice.