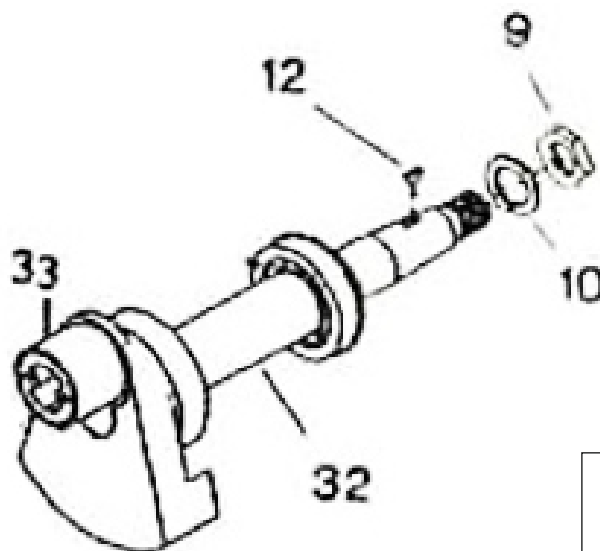


70240933* - ASSEMBLY CRANKSHAFT WITH BUSHING



No.	Description	Ref Part No.	QTY
2-32	Assembly Crankshaft With Bushing	70240933*	-
2-9	- Nut - Hex 1-3/8 UNF	30287668	1
2-10	- Lockwasher, Spring - 1-3/8"	95265690	1
2-12	- Key, Woodruff	95083721	1
2-33	- Bush Crankpin	32295875	1