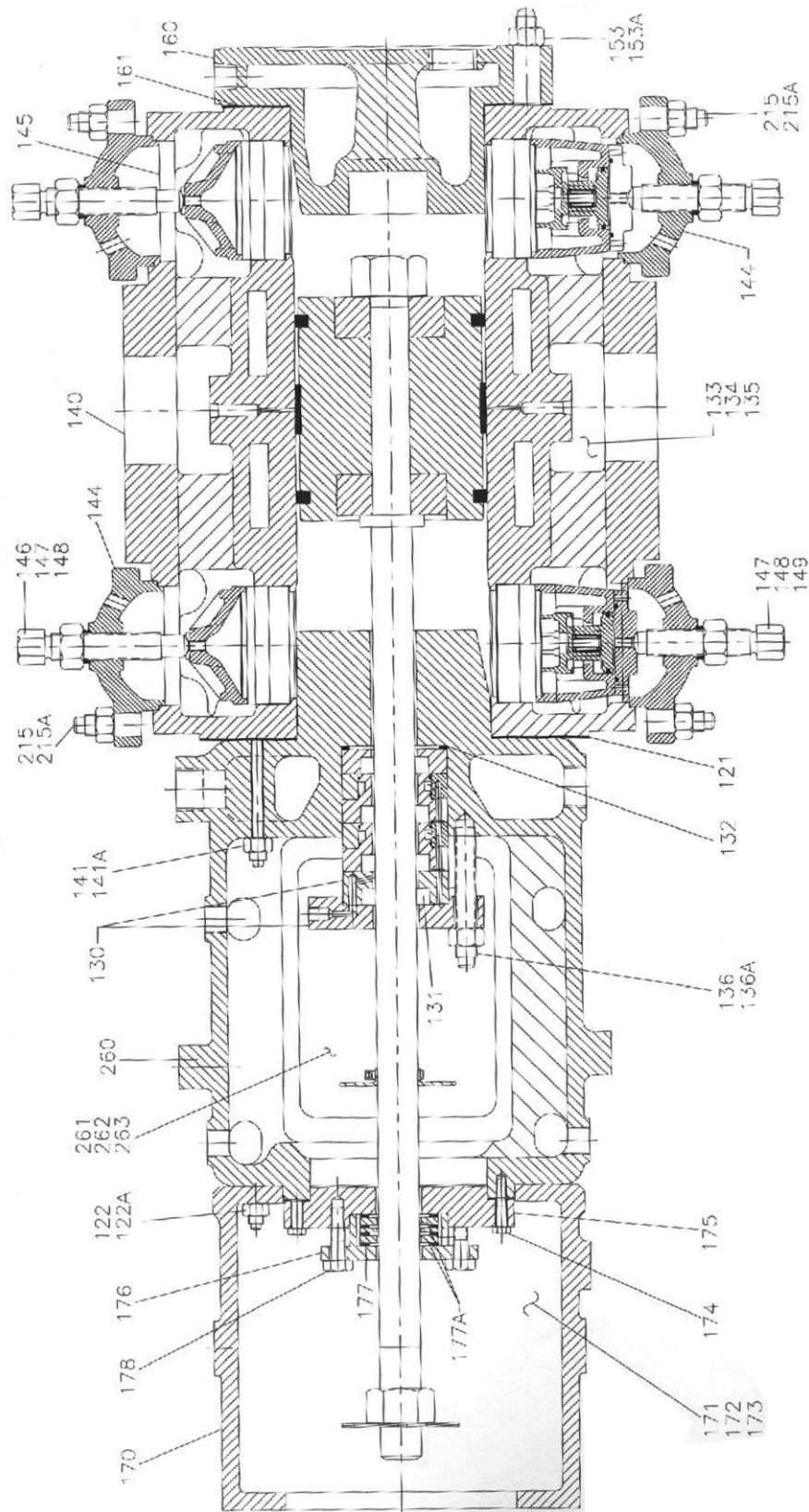


16.5 ASSEMBLY HEAD FRM & DIST PC 4-3/4X5,7"



All manufacturer's names, numbers, photos, product description and/or part numbers are used for reference purposes only & it is not implied that any part listed is the product of these manufacturers. Since Approvement are made from time to time, the illustration and specifications are subject to change without notice.

16.5 ASSEMBLY HEAD FRM & DIST PC 4-3/4X5,7"

No.	Description	Ref Part No.	QTY
	– ASSEMBLY HEAD FRM & DIST PC 4-3/4X5,7"	70265160	1
260	-- HEAD FRAME & DISTANCE PIECE 4-3/4 X 5 & 7	70443031	1
122	-- STUD 3/4 X 3-1/4	95737417	8
122A	-- NUT HEX 3/4 UNC ESV	95077822	8
136	-- STUD 3/4IN X 4-3/4IN	95593703	4
136A	-- NUT HEX 3/4 UNC ESV	95077822	4
	-- PLUG CO SUNK 1-1/2 NPT	95033270	4
	-- PLUG PIPE SQ.HD.1 NPT	95101044	3
	-- PLUG PIPE SQ.HD.3/4" NPT CS BLACK	95002143	1
121	-- GASKET NAB	37141777	1
261	-- COVER DISTANCE PIECE PROC	37133394	2
262	-- GASKET COVER CORK	37068293	2
263	-- SCREW CAP HEX 1/2IN X 1IN	95104147	24
175	-- PLATE PARTITION	37133402	1
174	-- SCREW CAP HEX 3/8 X 1.5" LG GRADE 5	95103792	4
176	-- GLAND 7 STK ESH OIL SCRAPPER	30477632	1
177	-- RING SCRAPPER 1.5 INCH ROD	54491378IM	2
177A	-- RING SCRAPPER 1.5 INCH ROD	54491386IM	1
178	-- SCREW CAP HEX HEAD 1/2 X 1-3/4 LG, GR = 5	95104188	2
	-- ADAPTER PROC	37771870	3
	-- ELBOW MALE 1/4T X 1/4 NPT	70219795	3
	-- CONNECTOR MALE 1/4T X 1/4 NPT	70230487	3
	-- TUBE 1/4 X 0.035 SS SEAMLESS	94468261	2
	-- REDUCER 1-1/2IN X 1/2IN	95038188	2
	-- ELBOW 1/2	95080693	1
	-- NIPPLE 1/4IN X 2IN ASTM A120 WELDE	70229216	1
	-- NIPPLE PIPE 1/2NPTX1.5	95273330	1
	-- REDUCER BUSHING 3/4" X 1/4" NPT	95002085	3
	-- STRAINER 1/2 IN	37073194	1