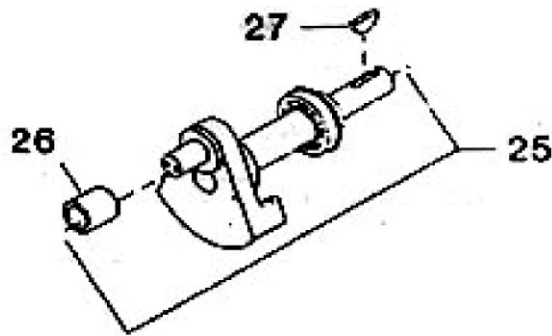


30211577* - CRANKSHAFT COMPLETE WITH BUSHING



No.	Description	Ref Part No.	QTY
2-25	Crankshaft Complete With Bushing	30211577*	-
2-26	- Bushing, crankpin	30289813	1
2-27	- Key, woodruff	95433173	1