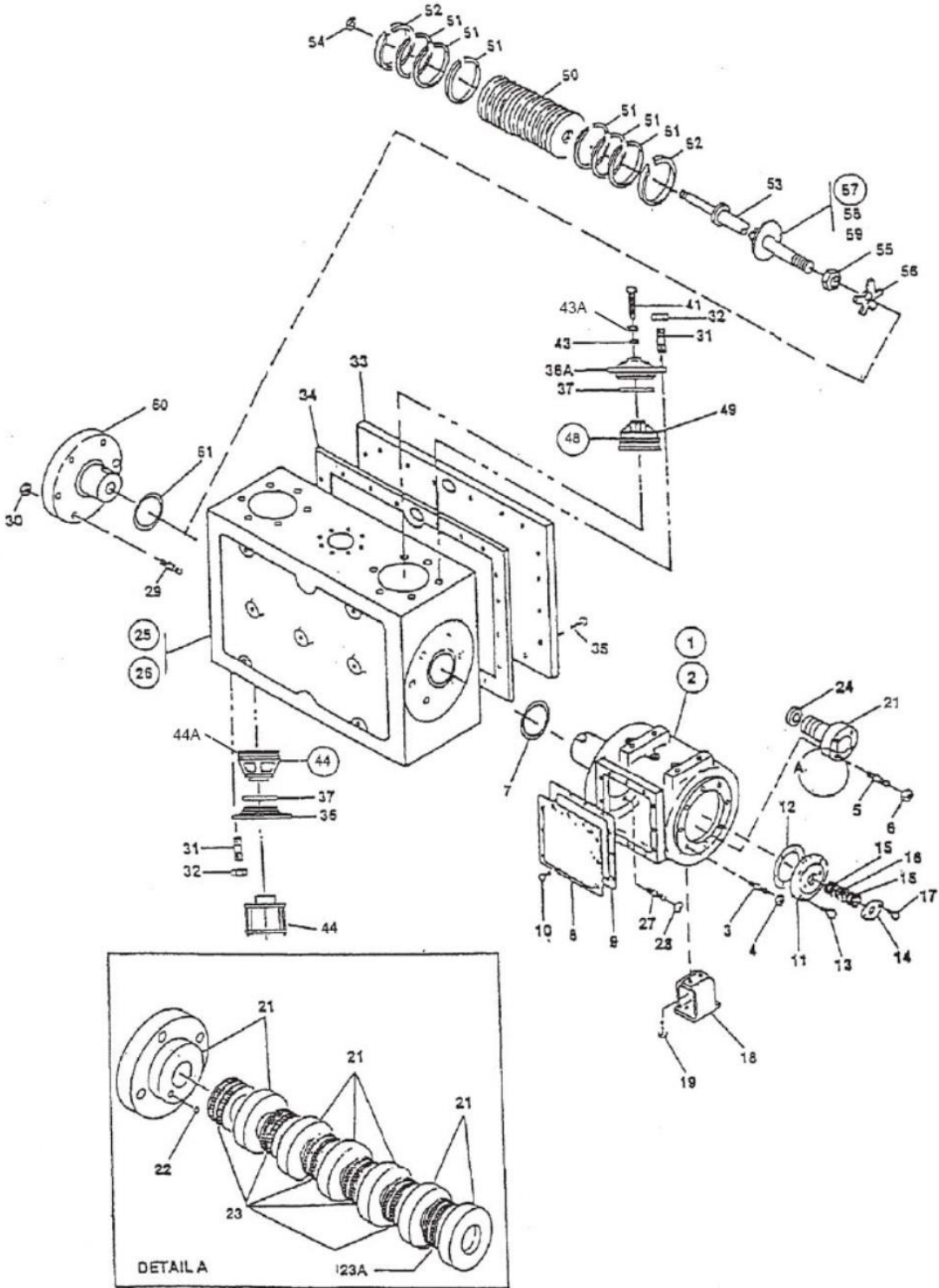


**6 - AIREND - MODEL - 5 & 4 x 7 PHE7 NL**



## 6 - AIREND - MODEL - 5 & 4 x 7 PHE7 NL

Sr.No	Description	Ref Part Nos	Qty
-	. . AIREND 4 X 7 PHE W/O CLOSURES	<b>70452933</b>	1
-	. . . ASSEMBLY FRHD & DIST PC 4X7 PHE	<b>70414115</b>	1
6-14	. . . . GLAND 7 STK ESH OIL SCRAPER	30477632	1
6-9	. . . . GASKET COVER CORK	37068293	2
6-12	. . . . GASKET PLATE PARTITION	37123171	1
6-8	. . . . COVER DISTANCE PIECE PROC	37133394	2
6-11	. . . . PLATE PARTITION	37133402	1
-	. . . . ADAPTER PROC	37771870	3
6-7	. . . . GASKET FR/OUTER HEAD PHE	39486204	1
-	. . . . <b>ASSEMBLY FR HD &amp; DIST PC(STD) 4X7 PHE</b>	<b>42414292</b>	1
6-2	. . . . . HEAD FRAME & DIST PC 4X7 PHE/ESV	39873690	1
-	. . . . . <b>KIT DISTANCE PIECE VENT AND DRAIN</b>	<b>23636491</b>	1
-	. . . . . NIPPLE 1" X 3" XLE	95243077	2
-	. . . . . ELBOW 90 DEG 1 NPT X 3000# SA105	95648275	2
-	. . . . . BUSHING REDUCER 1 X 1/2	95038055	1
-	. . . . . VALVE BALL 0.5" M-F	39105739IM	1
-	. . . . . PLUG PIPE SQ.HD.3/4"NPT CS BLACK	95002143	1
-	. . . . . DECAL CAUTION D/P RETROFIT KIT	23639339	1
-	. . . . . DECAL WARNING D/P RETROFIT KIT	23639347	1
-	. . . . . DECAL WARNING D/P COVER,RETROFIT KIT	23639354	1
-	. . . . . PLUG PIPE SQ.HD.3/4"NPT CS BLACK	95002143	8
-	. . . . . PLUG PIPE SQ.HD 1/2 NPT CS BLACK	95033619	2
6-4	. . . . . NUT HEX 3/4 UNC ESV	95077822	8
6-6	. . . . . NUT HEX 3/4 UNC ESV	95077822	4
-	. . . . . REDUCER 1-1/2IN X 1/2IN STEEL	95038188	2
6-3	. . . . . STUD 3/4 X 3-1/4	95737417	8
6-5	. . . . . STUD 3/4IN X 6IN	95903332	4
6-7	. . . . . GASKET FR/OUTER HEAD PHE	39486204	1
6-15	. . . . RING SCRAPER 1.5 INCH ROD	54491378	2
6-16	. . . . RING SCRAPER 1.5 INCH ROD	54491386	1
6-13	. . . . SCREW CAP HEX HEAD 3/8 X 1.5 " LG GRADE 5	95103792	4
6-10	. . . . SCREW CAP HEX 1/2INX 1IN	95104147	24
6-17	. . . . SCREW CAP HEX HEAD 1/2 X 1-3/4 LG , GR = 5	95104188	2
-	. . . <b>ASSEMBLY PACKING CASE &amp; RINGS (CPI) 4X7 PHE NL</b>	<b>42428037</b>	1
6-21	. . . . <b>ASSEMBLY CASE PACKING-6 CUP 4X7 PHE</b>	<b>42437442</b>	1
-	. . . . . FLANGE PACKING CASE,1.5 PISTON ROD	70332242	1
-	. . . . . CUP PACKING (CUP-4)	70332168	1
-	. . . . . <b>ASSEMBLY CUP PACKING (CUP-2)</b>	<b>70436373</b>	1
-	. . . . . CUP -2 OR 3 FOR PACKING CASE	70332176	1
-	. . . . . RING FOR CUP - 3	70332184	1
-	. . . . . O-RING 1/4 X 3/8 X 1/16	95022802	2
-	. . . . . O-RING 2-1/2 X 2-5/8 X 42370	95024139	2
-	. . . . . <b>ASSEMBLY CUP PACKING (CUP-3)</b>	<b>70436381</b>	1
-	. . . . . CUP -2 OR 3 FOR PACKING CASE	70332176	1
-	. . . . . RING FOR CUP - 2	70332200	1
-	. . . . . O-RING 1/4 X 3/8 X 1/16	95022802	2
-	. . . . . O-RING 2-1/2 X 2-5/8 X 42370	95024139	2

## 6 - AIREND - MODEL - 5 & 4 x 7 PHE7 NL

-	. . . . . CUP PACKING ( CUP-5 )	70412317	2
-	. . . . . CUP PACKING (CUP-1)	70332218	1
-	. . . . . O-RING 1/4 X 3/8 X 1/16	95022802	10
-	. . . . . STUD 1/4 X 8-1/2 PROC	95736302	2
-	. . . . . NUT HEX 1/4 UNC -16A4C1	95077681	2
-	. . . . . WASHER LOCK 1/4	95081873	2
6-24	. . . . . GASKET PACKING CASE	30586127	1
6-23	. . . . . RING PACKING SET PHE-7 NL	39321245IM	5
6-23A	. . . . . RING PRESSURE BREAKER PHE-7 CPI	39321450IM	1
-	. . . . . PLUG PIPE SQ.HD.3/4"NPT CS BLACK	95002143	1
-	. . . . . REDUCER BUSHING 3/4" X 1/4" NPT	95002085	1
-	. . . . . <b>ASSEMBLY CYLINDER 4X7 PHE FOR PF28 VLVS</b>	<b>42414300</b>	1
6-36	. . . . . COVER VALVE BILLET CYL,1.375 SET SC	37575198	4
-	. . . . . PLUG PIPE SQ.HD. 1/4 NPT	95033593	4
-	. . . . . <b>ASSEMBLY CYLINDER S/A 4X7 PHE PF28 VLV</b>	<b>42414318</b>	1
-	. . . . . PLUG LUB HOLE 4X7 PHE	39304340	2
-	. . . . . GASKET NUT (1/8 LEAD WIRE)	37759438	2.3
6-34	. . . . . GASKET COVER WATER	39568787	2
6-33	. . . . . COVER CYLINDER 4X7PHE/ESV B	39839436	2
6-25	. . . . . CYLINDER 4 LUB,NL ESV/PHE	39873377	1
-	. . . . . WASHER 5/8" X 0.062" COPPER	95567558	46
-	. . . . . PLUG PIPE SQ.HD. 1/4 NPT	95033593	2
-	. . . . . PLUG PIPE SQ.HD 1/2 NPT CS BLACK	95033619	4
-	. . . . . NUT HEX 5/8 UNC	95077814	4
-	. . . . . SCREW CAP HEX HEAD 5/8 X 1-1/2	95104436	42
-	. . . . . WASHER 5/8" X 0.062" COPPER	95567558	42
6-30	. . . . . NUT HEX 7/8IN	95210480	6
6-30	. . . . . NUT HEX 7/8IN	95210480	6
6-30	. . . . . NUT HEX 7/8IN	95210480	24
-	. . . . . STUD 7/8IN X 4-5/8IN	95594081	24
-	. . . . . STUD 5/8IN X 2-7/8IN	95684650	4
-	. . . . . STUD 7/8IN X 5-1/4IN	95811691	6
-	. . . . . STUD 7/8IN X 8IN	95866976	6
-	. . . . . HOLDER VALVE 4-3/4 A28	31253834	1
6-43A	. . . . . NUT SET SCRW 1-3/8IN	31375496	2
-	. . . . . GASKET SET SCREW 1-3/8"IDX2-1/8"OD	30351068	2
6-41	. . . . . SCREW SET	34140293	2
-	. . . . . GASKET VALVE COVER	37038064	2
-	. . . . . <b>ASSEMBLY PISTON &amp; RINGS 4X7 PHE NL</b>	<b>70453097</b>	1
6-50	. . . . . PISTON 4X7 PHE-7 NL-2STG	39550264	1
6-51	. . . . . RING PISTON 4X7	54577416IM	6
6-52	. . . . . RING WEARING 4X7	54577440IM	2
-	. . . . . <b>ASSEMBLY OIL STOP PLATE EXPORT</b>	<b>37802279</b>	1
6-58	. . . . . PLATE OIL STOP	30253025	1
6-59	. . . . . CLAMP	95235131	1
-	. . . . . <b>ASSEMBLY PISTON ROD 4 X 7 PHE-7</b>	<b>70452958</b>	1
6-53	. . . . . ROD PISTON LIQ.NITRIDED 4X7 PHE NL	39570957	1
6-55	. . . . . NUT JAM 7 INCH STROKE	30565675	1

## 6 - AIREND - MODEL - 5 & 4 x 7 PHE7 NL

6-56	. . . . WASHER LOCK STAR 7 STK	30589568	1
6-54	. . . . NUT PISTON	34578799	1
–	. . . <b>ASSEMBLY OUTER HEAD 4 X 7 PHE-7</b>	<b>70452941</b>	1
6-61	. . . . GASKET FR/OUTER HEAD PHE	39486204	1
6-60	. . . . HEAD OUTER ESV/PHE 4X7 W/COOLED	39317953	1
6-18	. . . FOOTPIECE IHE	97073118	1
6-19	. . . SCREW CAP HEX HEAD 5/8 X 1-1/2	95104436	2
–	. . . NAMEPLATE ESV AL	97066765	1
6-48	. . . CRAB VALVE IS 210 GR 20 CI	30533566	2
6-44A	. . . GASKET VALVE SEAT A28	54370663	4
–	. . . WASHER LOCK AISI 300 SERIES	95096178	2
–	. . . SCREW SS M/C NO.10X1	95111258	2
–	. . GASKET FR/OUTER HEAD PHE	39486204	-1
–	. SCREW CAP HEX HEAD 3/4 X 3-1/2	95104683	4
–	. WASHER 3/4IN	30608673	4
–	. SCREW CAP HEX HEAD 5/8 X 3	95104469	4
–	. FILTER OIL	30472161	1
–	. ASSEMBLY OIL DRAIN DISTANCE PC PHE	70447149	2
–	. . VALVE ISOLATION 1/2" SS BODY	97084396	1
–	. . BUSHING REDUCER 1 X 1/2	95038055	1
–	. . NIPPLE PIPE 1/2NPTx1.5	95273330	1

All manufacturer's names, numbers, photos, product description and/or part numbers are used for reference purposes only & it is not implied that any part listed is the product of these manufacturers. Since Approval is made from time to time, the illustration and specifications are subject to change without notice.