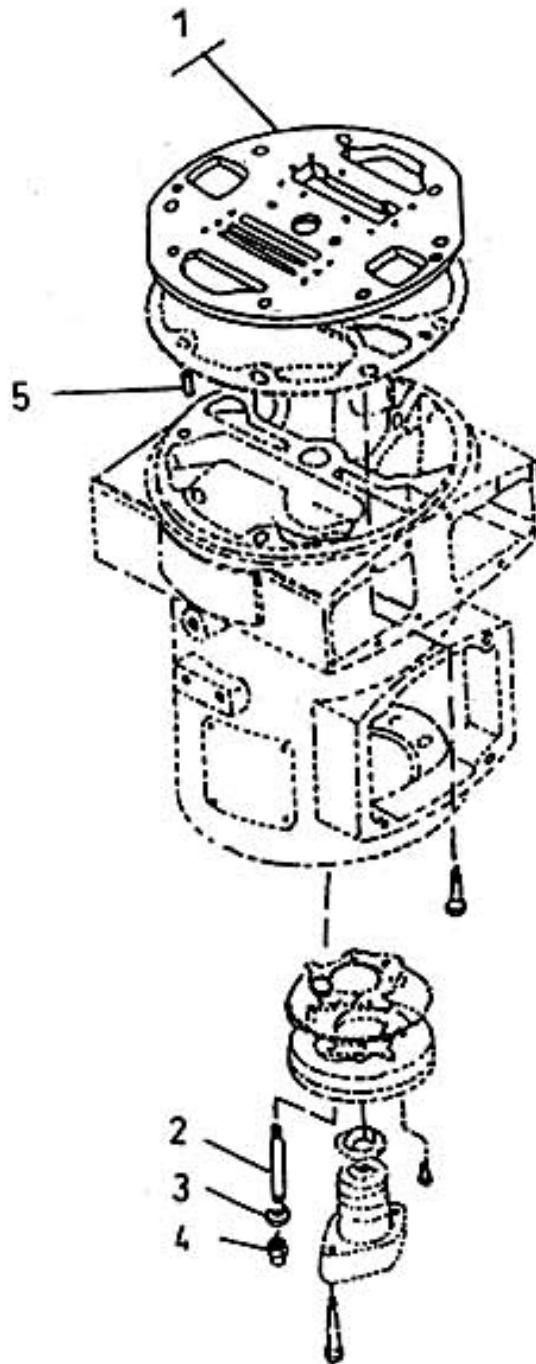


14. ASSEMBLY PLATE PORT FRAME END - MODEL 9.5 x 7 NL



All manufacturer's names, numbers, photos, product description and/or part numbers are used for reference purposes only & it is not implied that any part listed is the product of these manufacturers. Since Approvement are made from time to time, the illustration and specifications are subject to change without notice.

14. ASSEMBLY PLATE PORT FRAME END - MODEL 9.5 x 7 NL

No.	Description	Ref Part No.	QTY
–	Assembly Plate Port Frame End	70223250	–
1	– Plate For Frame End	37098092	1
2	– Stud 1/2" X 7 -3/4"	95214094	2
3	– Gasket Copper Washer 1/2"	30756068	2
4	– Nut Cap 1/2"	95108239	2
5	– Pin Roll 3/8" X1-3/4"	95098703	2