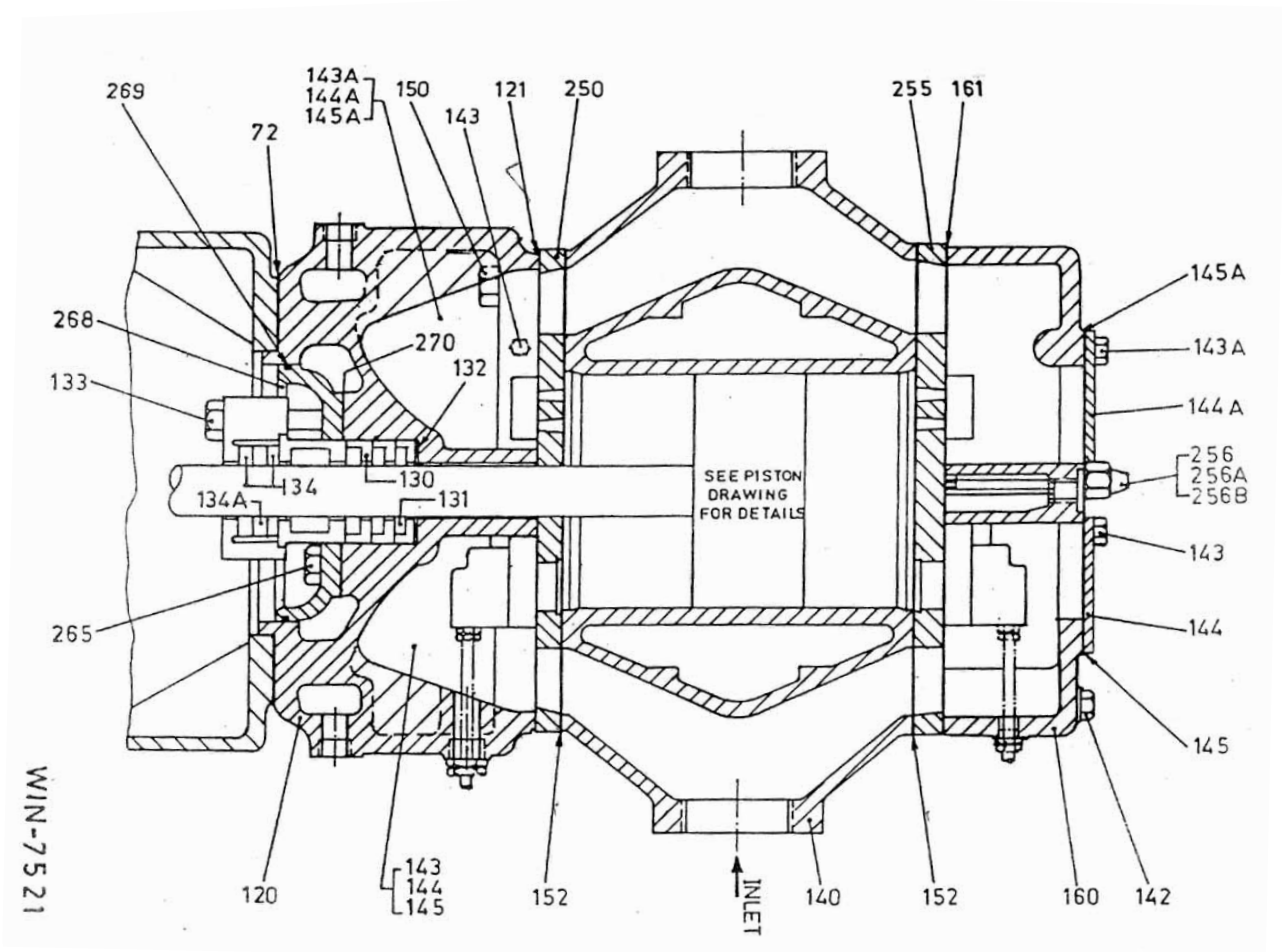


7. CYLINDER COMPL. - MODEL 12 & 7 X 7 IH5 NL



All manufacturer's names, numbers, photos, product description and/or part numbers are used for reference purposes only & it is not implied that any part listed is the product of these manufacturers. Since Approvement are made from time to time, the illustration and specifications are subject to change without notice.

7. CYLINDER COMPL. - MODEL 12 & 7 X 7 IHE5 NL

No.	Description	Ref Part No.	QTY
–	HEAD - FRAME COMPLETE	EIN-7135T	–
120	HEAD - FRAME	42007245	1
268	COVER STUFFING BOX	8301-D-1	1
270	GASKET STUFFING BOX	5914-C-1	1
269	"O" RING STUFFING BOX	20A11CM264	1
265	CAP SCREW	119A2A227	4
144	COVER - VALVE	8598-B1	4
145	GASKET FOR VALVE COVER	8599-B1	4
143	CAPSCREW FOR COVER	35A2J217	24
122	STUD - FRAME HEAD	90A3C06026	8
122A	NUT FOR STUD	16A4C8	8
72	GASKET FRAME HEAD	WIN-7272	1
–	PIPE - PLUG	31A7S5	2
121	GASKET	8165D1P2	1
–	CYLINDER COMPLETE	3242E1T	–
140	CYLINDER	3242E1	1
152	GASKET - CYLINDER	8369D1P1	2
–	NAMEPLATE	7A16X98	1
–	SCREW - DRIVE	122A2S57	4
–	HEAD - OUTER COMPL.	12845D1T	–
160	HEAD - OUTER	12845D1	1
161	GASKET	8165D1P4	1
144	COVER - INLET VALVE	8563B1	1
145	GASKET COVER	8565B1	1
143	CAPSCREW COVER	35A20109	5
144A	COVER DISCH VALVE	8564B1	1
145A	GASKET COVER	8566B1	1
143A	CAPSCREW DISC VALVE	35A2J217	7
142	CAPSCREW - OUTERHEAD	6-8386B1	8
–	PORT PLATE FR. END COMPL.	2-3206E1P1T	–
250	PORT PLATE FR. END	2-3206E1P1	1
251	STUD FRAME END	11A3G273	2
251B	GASKET	X1013T611	2
251A	CAPNUT	61A4C5	2
–	ROLLPIN - LOCATING	25A13C332	2
–	PORT PLATE - OUTER END	3-3206E1P1T	–
255	PORT PLATE - OUTER END	3-3206E1P1	1
256	STUD - OUTER END	11A30264	2

All manufacturer's names, numbers, photos, product description and/or part numbers are used for reference purposes only & it is not implied that any part listed is the product of these manufacturers. Since Approvement are made from time to time, the illustration and specifications are subject to change without notice.

7. CYLINDER COMPL. - MODEL 12 & 7 X 7 IHE5 NL

No.	Description	Ref Part No.	QTY
256B	GASKET	X1013T611	2
256A	CAPNUT	61A4C5	2
-	ROLLPIN LOCATING	25A13C332	2