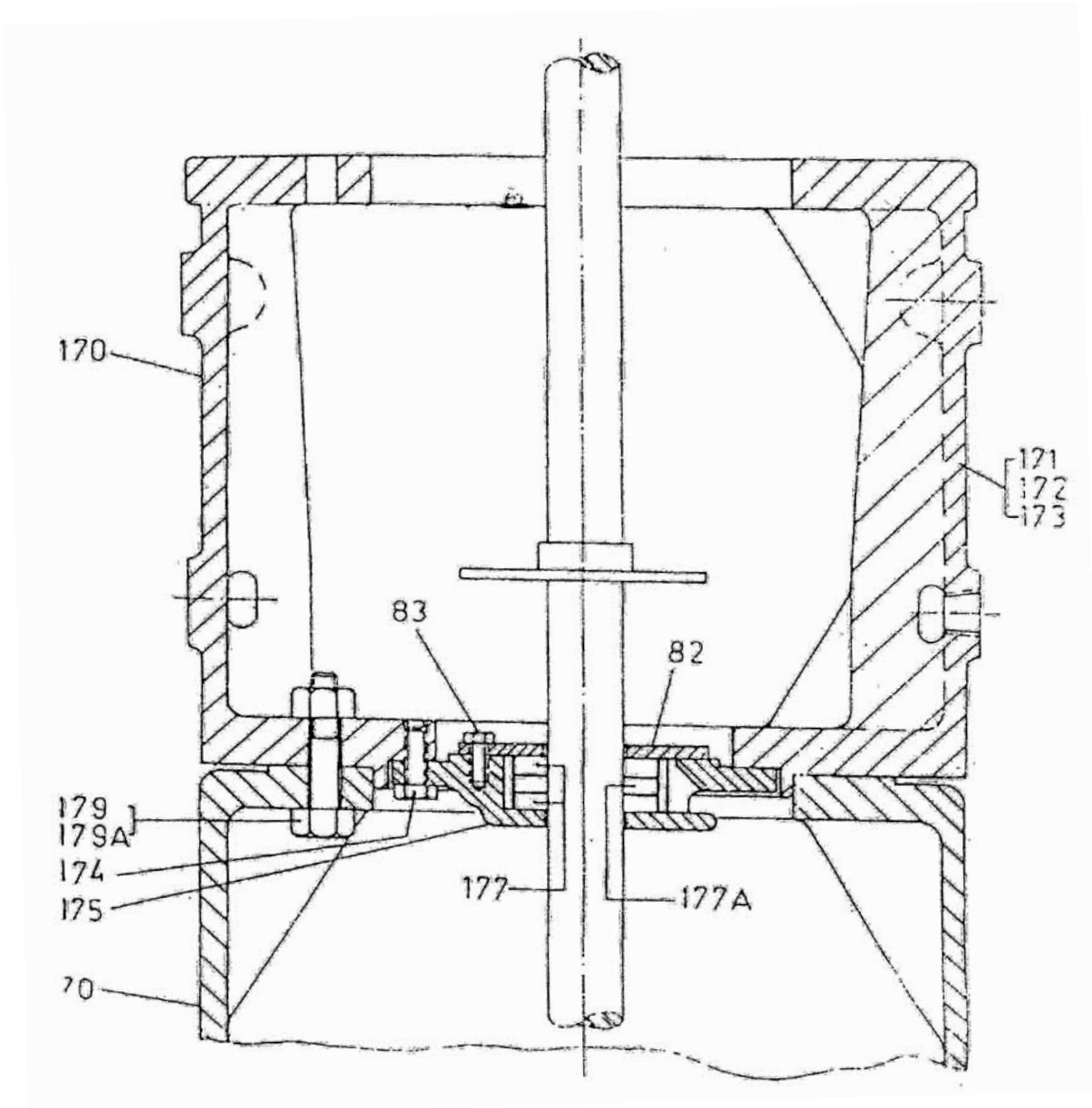


2. DISTANCE PIECE - MODEL 12 & 12 X 7 IHE NL



All manufacturer's names, numbers, photos, product description and/or part numbers are used for reference purposes only & it is not implied that any part listed is the product of these manufacturers. Since Approvement are made from time to time, the illustration and specifications are subject to change without notice.

2. DISTANCE PIECE - MODEL 12 & 12 X 7 IHE NL

No.	Description	Ref Part No.	QTY
-	- DISTANCE PIECE COMPLETE	97075626	-
170	-- DISTANCE PIECE	EIN7691	1
171	-- COVER DIST PC	9391D1	1
172	-- GASKET COVER	8274D1	1
173	-- CAPSCREW	35A2J217	8
175	-- BOX STUFFING	HIN7688	1
174	-- CAPSCREW STUFFING	35A2J111	4
82	-- PLATE PARTITION	8605B1	1
83	-- CAPSCREW PALTE	35A2J109	2
177	-- RING SCRAPPER	28A11G24D	2
177A	-- RING SCRAPPER	27A11G24D	1
-	-- PIPE PLUG	30A7S7	2
179	-- CAPSCREW	35A2J381	8
179A	-- NUT	16A4C8	8
-	-- FOOT DIST PC	CIN20610	1
-	-- CAPSCREW FOOT	35A2D325	2