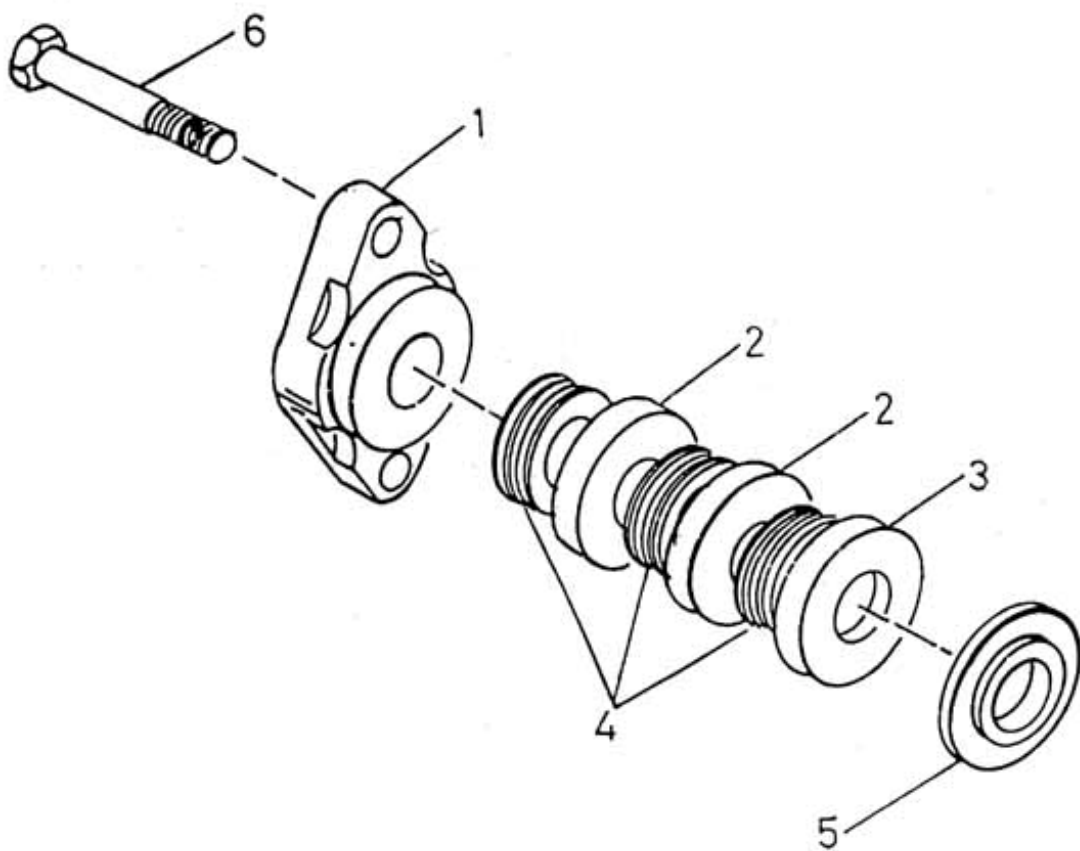


12. ASSEMBLY PACKING METALLIC - MODEL 9.5 x 5 NL



All manufacturer's names, numbers, photos, product description and/or part numbers are used for reference purposes only & it is not implied that any part listed is the product of these manufacturers. Since Approvement are made from time to time, the illustration and specifications are subject to change without notice.

12. ASSEMBLY PACKING METALLIC - MODEL 9.5 x 5 NL

No.	Description	Ref Part No.	QTY
–	Assembly Packing Metalic	70327671	–
1	– Flange Packing Case	97064885	1
2	– Cup Packing B	97064893	2
3	– Cup Packing End	97064901	1
4	– Ring & Spring	37019734	1
5	– Gasket Packing Case	39312962IM	1
6	– Screw Cap Hex Head 5/8" X 3"	95104469	2