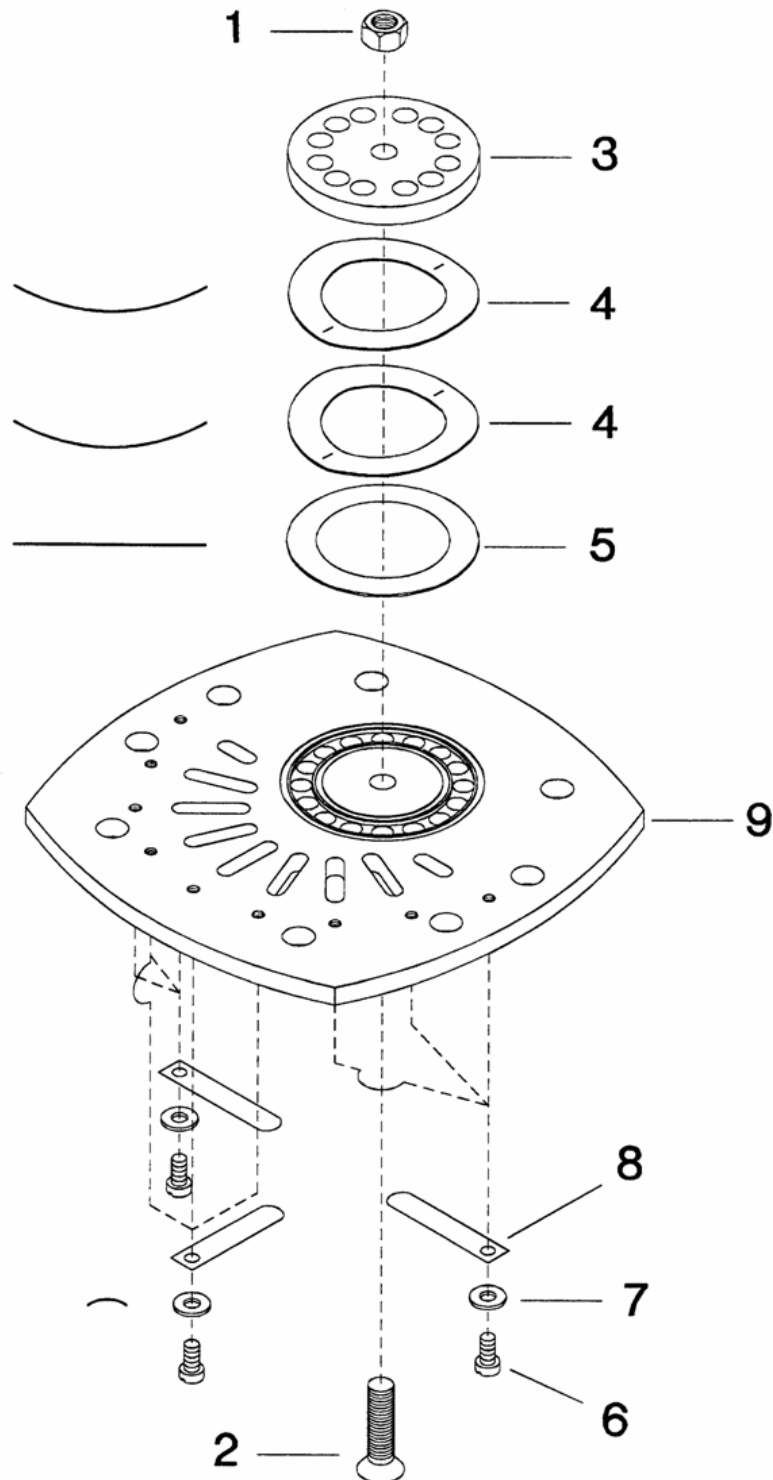


4. FIRST STAGE VALVE PLATE ASSEMBLY - MODEL 7100



All manufacturer's names, numbers, photos, product description and/or part numbers are used for reference purposes only & it is not implied that any part listed is the product of these manufacturers. Since Approvement are made from time to time, the illustration and specifications are subject to change without notice.

4. FIRST STAGE VALVE PLATE ASSEMBLY - MODEL 7100

No.	Description	Ref Part No.	QTY
REF	Ass'y, First Stage Valve Plate (see-2-34)	32228330	1
4-1	– Nut, Whiz-Lock - 7/16 - 14 Hex	97166946	1
4-2	– Bolt Valve	32223927	1
4-3	– Plate, Stop - Discharge	32228314	1
4-4	– Spring, Valve - Discharge	30221501	2
4-5	– Plate, Valve - Discharge	30181499	1
4-6	– Screw, Fillister Head - 1/4-20 X 3/8"	32035511	9
4-7	– Washer, Belleville - 1/4"	32217382	9
4-8	– Valve, Finger	30220115	9
4-9	– Plate, Valve Seat	32228249	1

All manufacturer's names, numbers, photos, product description and/or part numbers are used for reference purposes only & it is not implied that any part listed is the product of these manufacturers. Since improvement are made from time to time, the illustration and specifications are subject to change without notice.