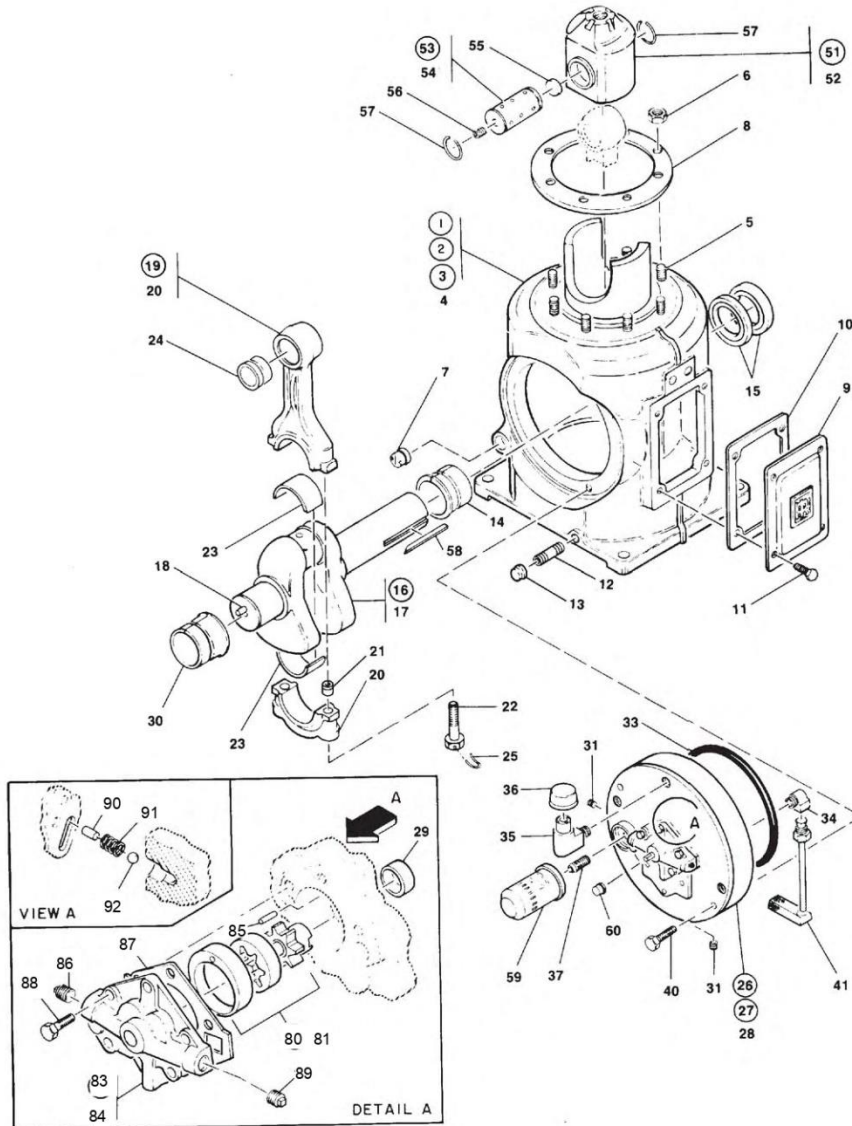


1 - ASSEMBLY FRAME - MODEL - 11 x 7 ESV NL

**FIGURE 2
FRAME AND GEAR**



1 - ASSEMBLY FRAME - MODEL - 11 x 7 ESV NL

Sr.No	Description	Ref Part Nos	Qty
–	COMP 11X7 ESV NL ASSLY	23930324	1
–	. COMP 11 X 7 ESV NL BARE EXPORT	17278110	1
–	. . ASSEMBLY FRAME & RUNNING GEAR 7" ESV NL	42153270	1
–	. . . ASSEMBLY FRAME 7" ESV	42118364	1
1-3 FRAME 7" STROKE ESV	30556385	1
1-14 BUSH MBH 7ESV	30557565	1
1-5 STUD 3/4IN X 2-3/4IN	95093662	8
– ASSEMBLY DRAIN 5" & 7" STROKE ESV	42117838	1
1-13 NIPPLE PIPE 1/2IN X 4IN	95097424	1
1-12 CAP PIPE SCREWED 1/2 IHE	97070213	1
1-6 NUT HEX 3/4 UNC ESV	95077822	8
1-7 GLASS OIL LEVEL	39137245	1
– PLUG PIPE SQ.HD.3/4"NPT CS BLACK	95002143	3
– PLUG 1-1/4 NPT SQ.HEAD	95033569	1
1-15 SEAL OIL CRANK SHAFT	37794377	2
1-10 GASKET COVER FRAME	30562243	1
1-9 COVER FRAME 7 ESV/H	39566864	1
1-11 SCREW CAP HEX 1/2INX 1IN	95104147	4
–	. . . ASSEMBLY MB HOUSING 7 STK ESV	42319640	1
1-33 O-RING 14 X 14-1/2 X 1/4	95018370	1
1-26 HOUSING MB WITH BUSH	42168690	1
1-40 SCREW CAP HEX HEAD 3/4 X 4	95104709	2
1-37 ADAPTER OIL FILTER	30179220	1
1-36 CAP BREATHER	30557888	1
1-35 ELBOW MAIN BEARING HOUSING-0.50 NPT	94425162	1
1-31 PLUG COUNTER SHUNK 3/8IN NPT	95101705	1
1-30 BUSH MBH 7ESV	30557565	1
–	. . . PIPE ASSEMBLY SUCTION-9.5X7 ESV NL	30384440	1
1-41 ASSEMBLY PIPE OIL SUCT	70264346	1
1-34 NUT CONNECTOR	97076277	1
–	. . . ASSEMBLY PUMP OIL COVER ESV	42139329	1
– ASSEMBLY OIL PUMP ESV/PHE/IHE LUB	70402680	1
1-80 ASSEMBLY OIL PUMP ESV	30427140	1
1-81 SHAFT DRIVE OIL PUMP	37141041	1
1-81 RING LOCATING - OIL PUMP	37141058	1
1-81 ROTOR INNER GEAR IDLER 5 & 7 ESV	97059414	1
1-81 ROTOR OUTER GEAR DRIVE 5 & 7 ESV	97059422	1
1-40 SEAL OIL PUMP SHAFT AP LUB	37796240	1
1-83 ASSEMBLY OIL PUMP COVER	31165376	1
1-84 COVER LUBRICATOR OIL PUMP WITH BUSH	39863683	1
1-85 PIN DOWEL -OIL PUMP-1/4DX1L	95033825	1
1-86 PLUG PIPE SQ.HD 1/2 NPT CS BLACK	95033619	1
1-87 GASKET COVER OIL PUMP	30205280	1
1-88 SCREW CAP HEX HEAD 7/16 X 1 INCH	95104006IM	5

1 - ASSEMBLY FRAME - MODEL - 11 x 7 ESV NL

1-89 PLUG COUNTER SHUNK 3/8IN NPT	95101705	1
1-90 PIN ROLL 5/16 X 1	95098653	1
1-91 SPRING VALVE RELIEF	30508741	1
1-92 BALL RELIEF VALVE, 1/2 INCH, E52100	95320446	1
– SCREW CAP HEX HEAD 7/16 X 1 INCH	95104006IM	6
– ASSEMBLY CRANKSHAFT 7" STROKE ESV W/KEY	42398362	1
1-16 ASSEMBLY CRANKSHAFT 7 STK	37224102	1
1-17 CRANKSHAFT 7" STROKE ESV / ESH	30559652	1
1-18 PIN DOWEL CRANKSHAFT	70408240	1
1-58 KEY CRNKSHFT 7/8INCH X 4.5INCH	95545679	1
1-19 ASSEMBLY ROD CONN COMP 7 ESV	37189628	1
1-20 ROD CONNECTING 7 WITH CAPBUSH &BOLT	42156448	1
1-24 BUSHING CRANKPIN 7ESV	30557540	1
1-23 BUSHING CONNECTING ROD	30557532	1
1-25 WIRE LOCKING ESV	37605177	1.5
1-51 ASSEMBLY CROSSHEAD 7" PHE/ESV	37046414	1
1-52 CROSSHEAD 7" STROKE	30559736	1
1-53 ASSEMBLY PIN CROSS HEAD	37087707	1
1-54 PIN CROSS HEAD	90732538	1
1-55 PLUG CROSS HEAD PIN	30206940	1
1-56 PLUG 1/4	95250932	1
1-57 RING RETAINER	30576136IM	2
1-60 COVER SHAFT	30253892	1
1-8 GASKET FRAME	39550215	1
1-59 FILTER OIL	30472161	1

All manufacturer's names, numbers, photos, product description and/or part numbers are used for reference purposes only & it is not implied that any part listed is the product of these manufacturers. Since Approvement are made from time to time, the illustration and specifications are subject to change without notice.