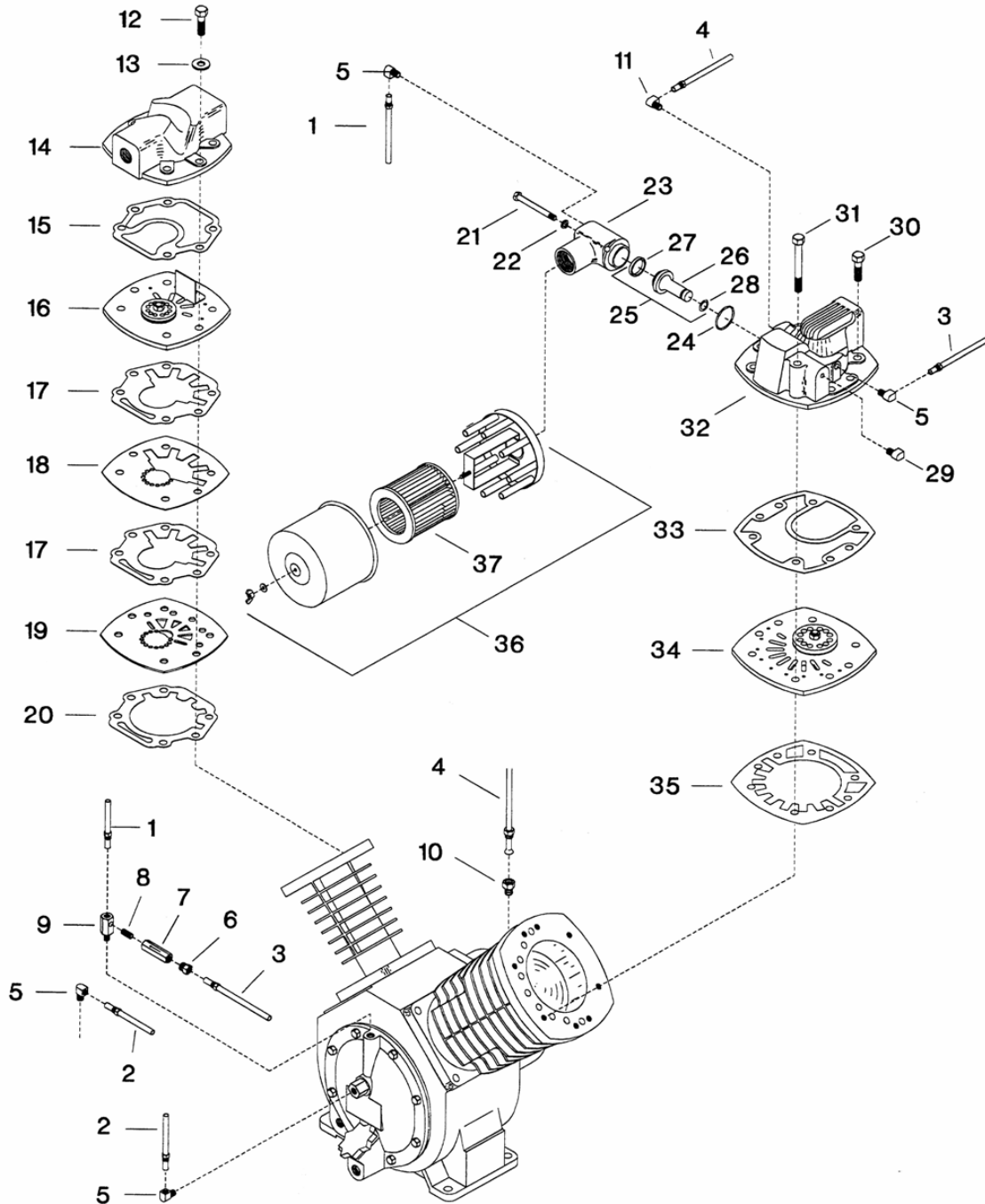


2. BARE COMPRESSOR - MODEL 7100



All manufacturer's names, numbers, photos, product description and/or part numbers are used for reference purposes only & it is not implied that any part listed is the product of these manufacturers. Since Approvement are made from time to time, the illustration and specifications are subject to change without notice.

2. BARE COMPRESSOR - MODEL 7100

No.	Description	Ref Part No.	QTY
2-1	Ass'y, Tube - Frame End cover/Unloader Cover - 5/16" Dia	32203440	1
2-2	Ass'y, Tube - Pilot Valve/2nd Stage Manifold 5/16" Dia	32183717	1
2-3	Ass'y, Tube - Check Valve/Right - Hand Head 5/16" Dia	32200529	1
2-4	Ass'y, Tube Breather - 3/8" Dia	32200560	1
2-5	Elbow, Tube - 5/16 X 1/4" (If Supplied)	95110441	4
2-6	Connector, Tube 5/16" X 1/8" (If Supplied)	95082483	1
2-7	Valve, Check (If supplied)	32001141	1
2-8	Nipple, close -1/8 X 3/4" (if Supplied)	95796017	1
2-9	Connector, Tube 5/16" X 1/4" Male Long (If Supplied)	32203242	1
2-10	Connector, Male - 3/8" X 1/4"	95083143	1
2-11	Elbow, Tube - 3/8" X 1/4"	95040143	1
2-12	Capscrew - Hex 1/2-13 X 2"	95104196	6
2-13	Washer, Flat - 1/2"	32060006	6
2-14	Head, Second stage - High Pressure	32172199	1
2-15	Gasket, Head - Second Stage	32252801	1
2-16	Ass'y, Valve Plate - Second stage (see Fig. C, Page 8)	32228322	1
2-17	Gasket, Spacer Plate - Second stage	32252819	2
2-18	Plate, Spacer -Second Stage	32228280	1
2-19	Plate, Dics - Second Stage	32228272	1
2-20	Gasket, Valve Plate - Second Stage	32252827	1
2-21	Capscrew - Hex 5/16-1/8 X 3-3/4"	95035259	2
2-22	Lockwasher, Spring -5/16"	95043188	2
2-23	Cover, Unloader	32174336	1
2-24	O-Ring	95026183	1
2-25	Ass'y, Unloader Piston (If Supplied)	32256257	1
2-26	- Piston, Unloader	NSS	1
2-27	- Seal, Unloader Piston	32254740	1
2-28	- O-Ring, Unloader Piston	32188385	1
2-29	Elbow, Orifice-Unloader (If Supplied)	32256356	1
2-30	Capscrew - Hex 1/2-13 X 1-3/4"	95104188	7
2-31	Capscrew - Hex 1/2-13 X 4-1/4"	95104279	1
2-32	Head, First stage - Low Pressure	32172207	1
2-33	Gasket, Head - First Stage	32172926	1
2-34	Ass'y,Valve Plate-First stage (See Fig. 4, PG. 9)	32228330	1
2-35	Gasket, Valve Plate - First Stage	32172942	1
2-36	Filter, Inlet - Complete	32109779	1
2-37	- Element, Filter - 10 Micron	32012957	1