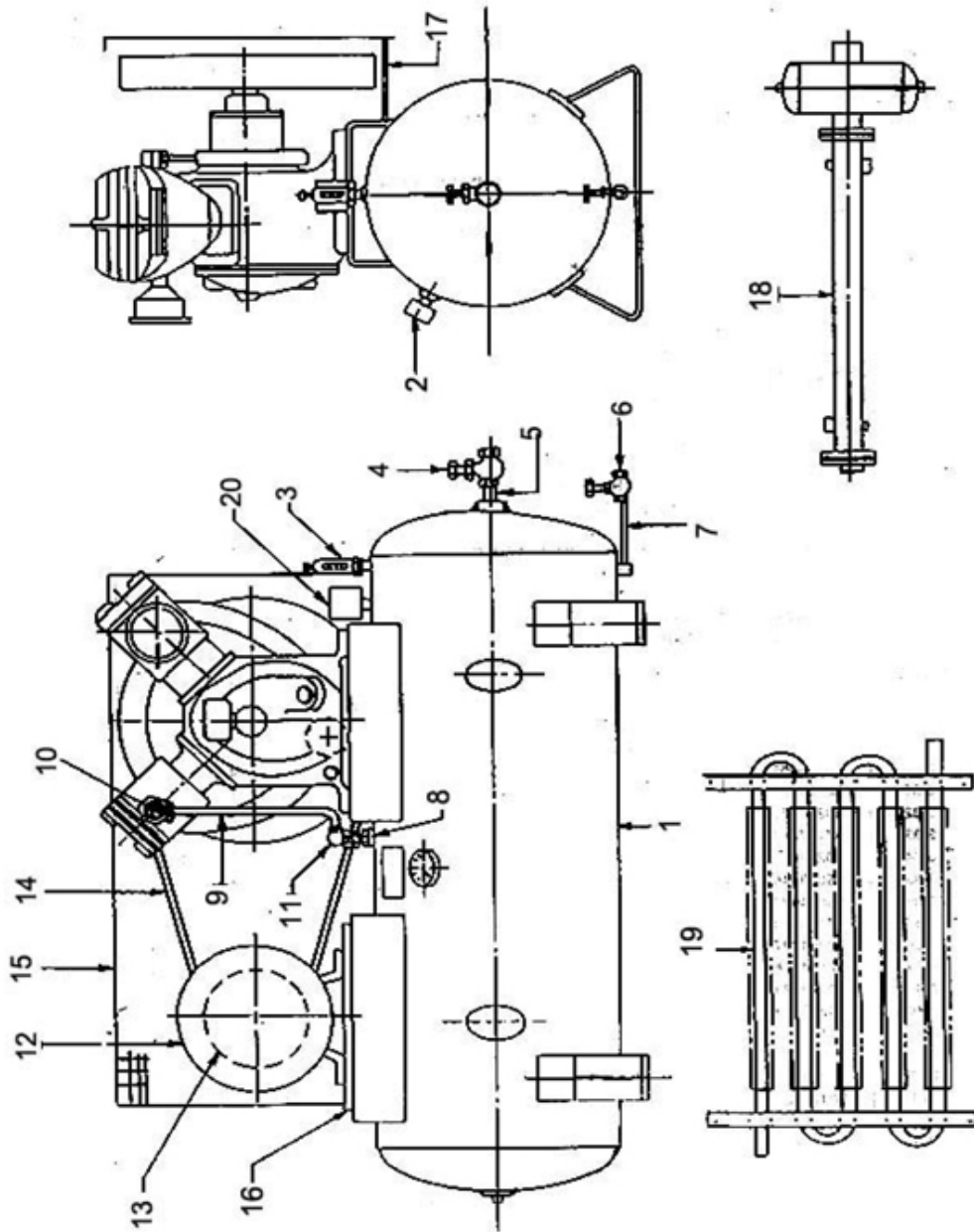


4. Compressor Drive - Air Receiver & Accessories - Model 234



All manufacturer's names, numbers, photos, product description and/or part numbers are used for reference purposes only & it is not implied that any part listed is the product of these manufacturers. Since Approvement are made from time to time, the illustration and specifications are subject to change without notice.

4. Compressor Drive - Air Receiver & Accessories - Model 234

No.	Description	Ref Part No.	QTY
4-1	Receiver 150 Ltr Max working PR 175	97056048	1
4-1	Receiver 150 Ltr Max working PR 270	97056097	1
4-1	Receiver 225 Ltr Max working PR 175	97056113	1
4-1	Receiver 225 Ltr Max working PR 270	97056121	1
4-2	Pressure Gauge 0 300 PSIG	95736922	1
4-3	Safety Valve	72062078	1
4-4	Service Valve - 1/2"	95081048	1
4-5	Nipple Pipe - 1/2"	95062600	1
4-6	Drain Valve - 1/4"	95081022	1
4-7	Nipple Pipe - 1/4"	95736542	1
4-8	Check Valve	37047773	1
4-9	Pipe Discharge 1/2 X 15 1/2"	97045389	1
4-10	Nut Connector	95227260	2
4-11	Elbow Tube	95040184	2
4-12	Motor Electric	-	1
4-13	Motor Pulley 660 RPM	97043293RB	1
4-13	Motor Pulley 960 RPM	97043749RB	1
4-14	V' Belt for 660 RPM	92396233	2
4-14	V' Belt for 960 RPM	97044218	2
4-15	Belt Guard	97044549	1
4-16	Slide Rail 12"	97044101	2
4-17	Distance Piece Belt Guard	97042295	2
	Optional Equipment		
4-18	Watercooled Aftercooler	97045595	1
4-18	Watercooled Aftercooler with Moisture Seperator	97045603	1
4-19	Aircooled Aftercooler	RIN300534	1
4-20	Super Pressure Switch 100-213P	156A12XPS15B	1
4-20	Pressure Switch H.P	IPS400	1
REF	Aux Valve For C.S.C	48XXA1AL	1
REF	Spring Aux Valve	30673347	1
REF	Bolt Foundation 1/2"	WIN300579T2	4

All manufacturer's names, numbers, photos, product description and/or part numbers are used for reference purposes only & it is not implied that any part listed is the product of these manufacturers. Since Approvement are made from time to time, the illustration and specifications are subject to change without notice.