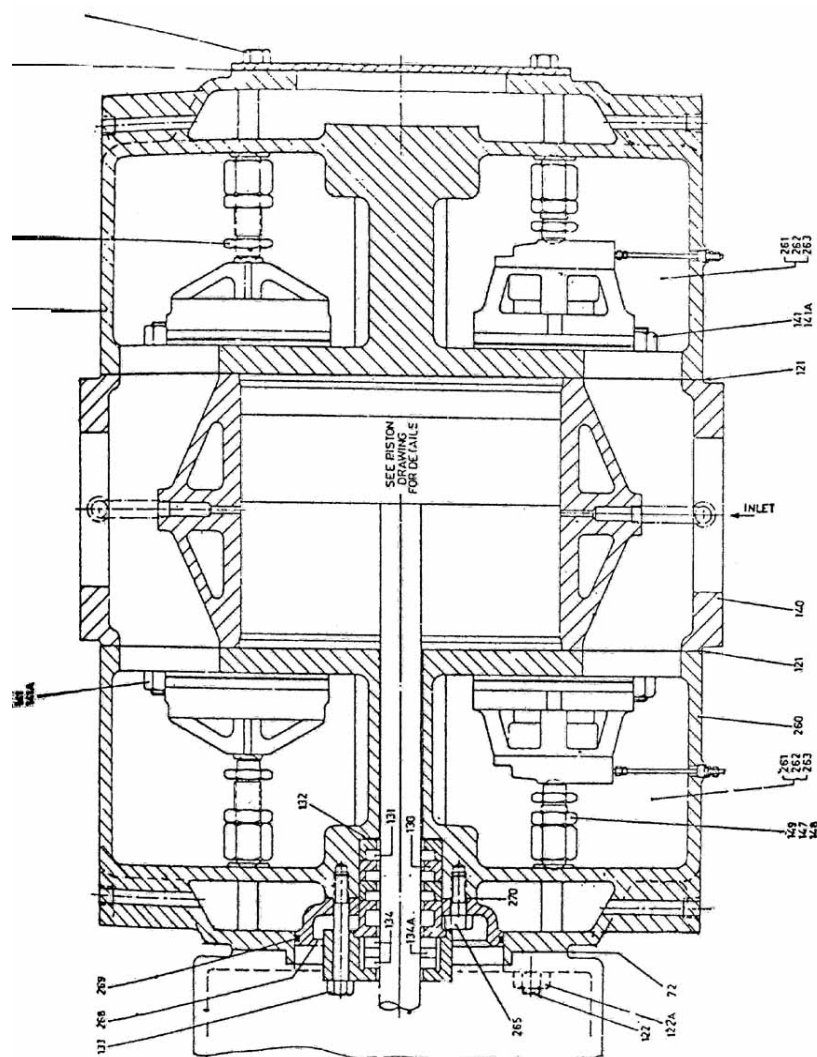


3. HEAD FRAME COMPL. - MODEL 12 & 7 X 7 IHES NL



All manufacturer's names, numbers, photos, product description and/or part numbers are used for reference purposes only & it is not implied that any part listed is the product of these manufacturers. Since Approvement are made from time to time, the illustration and specifications are subject to change without notice.

3. HEAD FRAME COMPL. - MODEL 12 & 7 X 7 IHE5 NL

No.	Description	Ref Part No.	QTY
–	HEAD FRAME COMPL.	EIN-7231T	–
260	HEAD FRAME	EIN-7231	1
268	COVER STUFFING BOX	8301-D1N	1
270	GASKET STUFFING BOX	5914C1	1
269	"O" RING STUFFING BOX	20A11CM264	1
265	CAP SCREW	119A2A227	4
261	COVER - VALVE BARE	WIN-7275	4
262	GASKET FOR COVER VALVE	WIN-7276	4
263	CAPSCREW - COVER VALVE	35A2J217	32
122	STUD FRAME HEAD	90A3C06026	8
72	GASKET FRAME HEAD	WIN-7272	1
–	PIPE PLUG FOR WATER	31A7S5	2
122A	NUT FOR STUD FR. HEAD	16A4C8	8
–	CYLINDER - COMPL.	EIN-7228T	–
140	CYLINDER	EIN-7228	1
121	GASKET CYLINDER	HIN-7277	2
–	PLATE NAME	7A16X98	1
–	SCREW DRIVE	122A2S57	4
–	PIPE PLUG	30A7S3	2
141	STUD FRAME HEAD AND OUTER HEAD	90A3J08032	16
141A	NUT-STUD HEAD & OUTER HEAD	16A4C10	16
–	PIPE PLUG	WIN8346	2
–	FOOT PIECE	RIN-1708	1
–	GASKET FOOT PIECE	X1297T11	1
–	CAPSCREW	35A2C378	8
–	PLATE SOLE	899B1	1
–	CAPSCREW	35A2C377	4
–	SPACER	891B1	1
–	ROLL PIN - LOCATING	25A113C326	2
–	NIPPLE	19A7S38	1
–	NIPPLE	19A7S126	1
–	ELBOW	65A7F2	1
–	COUPLING	12A7S2	1
–	PACKING NUT	G1217	1
–	PACKING PIPE	2630B1-10	1
–	CLOSURE FLANGE	RIN-1674T7	2
–	DRAIN VALVE	WIN-8906	1

All manufacturer's names, numbers, photos, product description and/or part numbers are used for reference purposes only & it is not implied that any part listed is the product of these manufacturers. Since Approvement are made from time to time, the illustration and specifications are subject to change without notice.