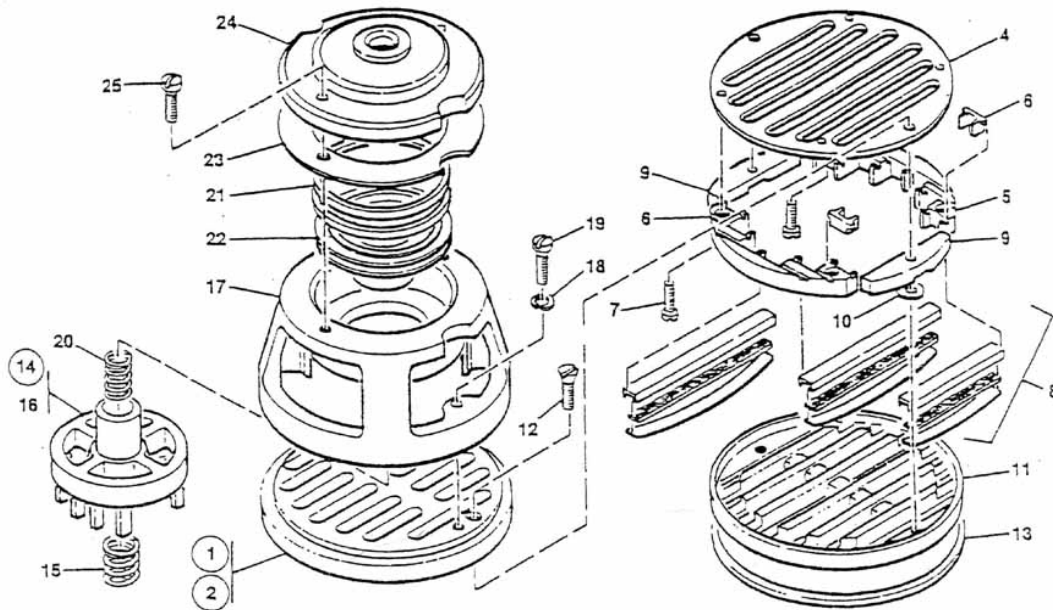


**37122660 - VALVE COMPLETE FAU & INLET**



No.	Description	Ref Part No.	QTY
-	<b>VALVE COMPLETE FAU &amp; INLET</b>	<b>37122660</b>	-
7-1	- VALVE-INLET COMPL	37020732	1
7-2	-- SEAT COMPL-INLET	37034642	1
7-4	-- PLATE - SEAT	37020781	1
7-5	-- HOLDER - GUIDE	37039146	2
7-6	-- GUIDE - VALVE (BOX OF 24)	37026424	1
7-7	-- SCREW - BUTTON HD	37025988	4
7-8	-- SET - CHAN & SPRING	37020906	1
7-9	-- BALANCER - FLOW	37074051	2
7-10	-- WASHER	37039377	2
7-11	-- STOP PLATE - INLET	37020948	1
7-12	-- SCREW - FLT HD MACHINE	95110007	2
7-13	- GASKET - VLV SEAT	30550818	1
7-14	- UNLOADER-FAU COMPL	39691456	1
7-15	-- SPRING-LIFTING	39494307	1
7-16	-- PLUNGER-UNLOADER	34064311	1
7-17	-- CAGE-UNLOADER	30907158	1
7-18	-- WASHER-LOCK	95081873	2
7-19	-- SCREW-FILL HD MACH	95111134	2
7-20	-- SPRING-UNLOADING	30606826	1
7-21	-- RING-PISTON	34129312	1
7-22	-- PISTON-UNLOADER	34074567	1

**37122660 - VALVE COMPLETE FAU & INLET**

<b>No.</b>	<b>Description</b>	<b>Ref Part No.</b>	<b>QTY</b>
7-23	-- GASKET-UNLOADER	95022307	1
7-24	-- COVER-UNLOADER	37123775	1
7-25	-- SCREW-FILL HD MACH	95262069	2