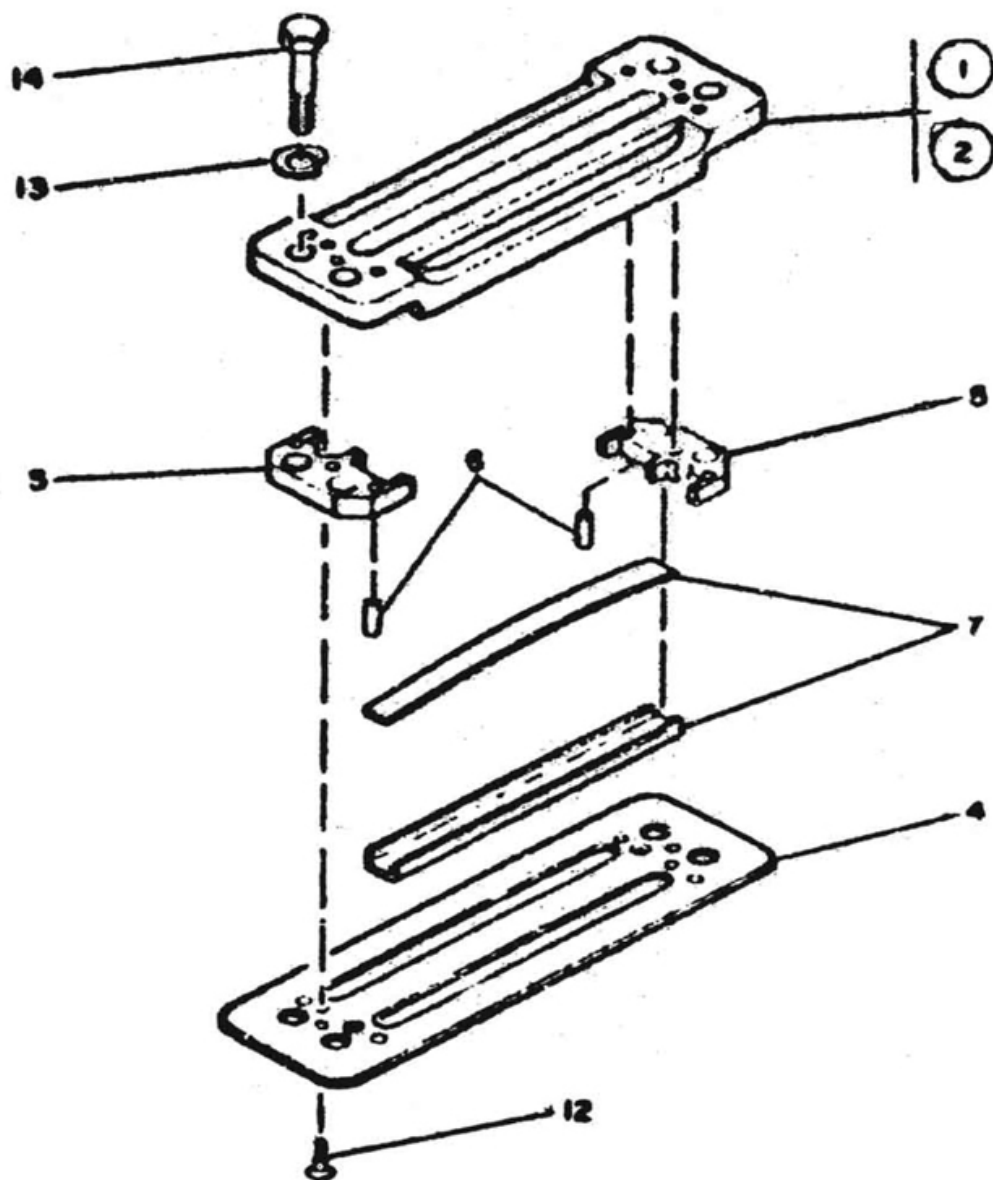


7. VALVE DISCHARGE - MODEL 8 x 7 LUB



All manufacturer's names, numbers, photos, product description and/or part numbers are used for reference purposes only & it is not implied that any part listed is the product of these manufacturers. Since Approvement are made from time to time, the illustration and specifications are subject to change without notice.

7. VALVE DISCHARGE - MODEL 8 x 7 LUB

No.	Description	Ref Part No.	QTY
1	Valve Disch Complete	A357PC2	–
2	– Plate Stop	A357PC6	1
–	– Stop Plate Bare	NP	1
5	– Guide	A357PC16	2
6	– Dowel	26A13F501	4
4	– Plate Seat	A357PC18	1
12	– Machine Screw	77A2S29	2
7	– Set Channels & Springs	A357PC33	1
14	– Capscrew	35A2D7	6
13	– Lockwasher	14A5C54	6