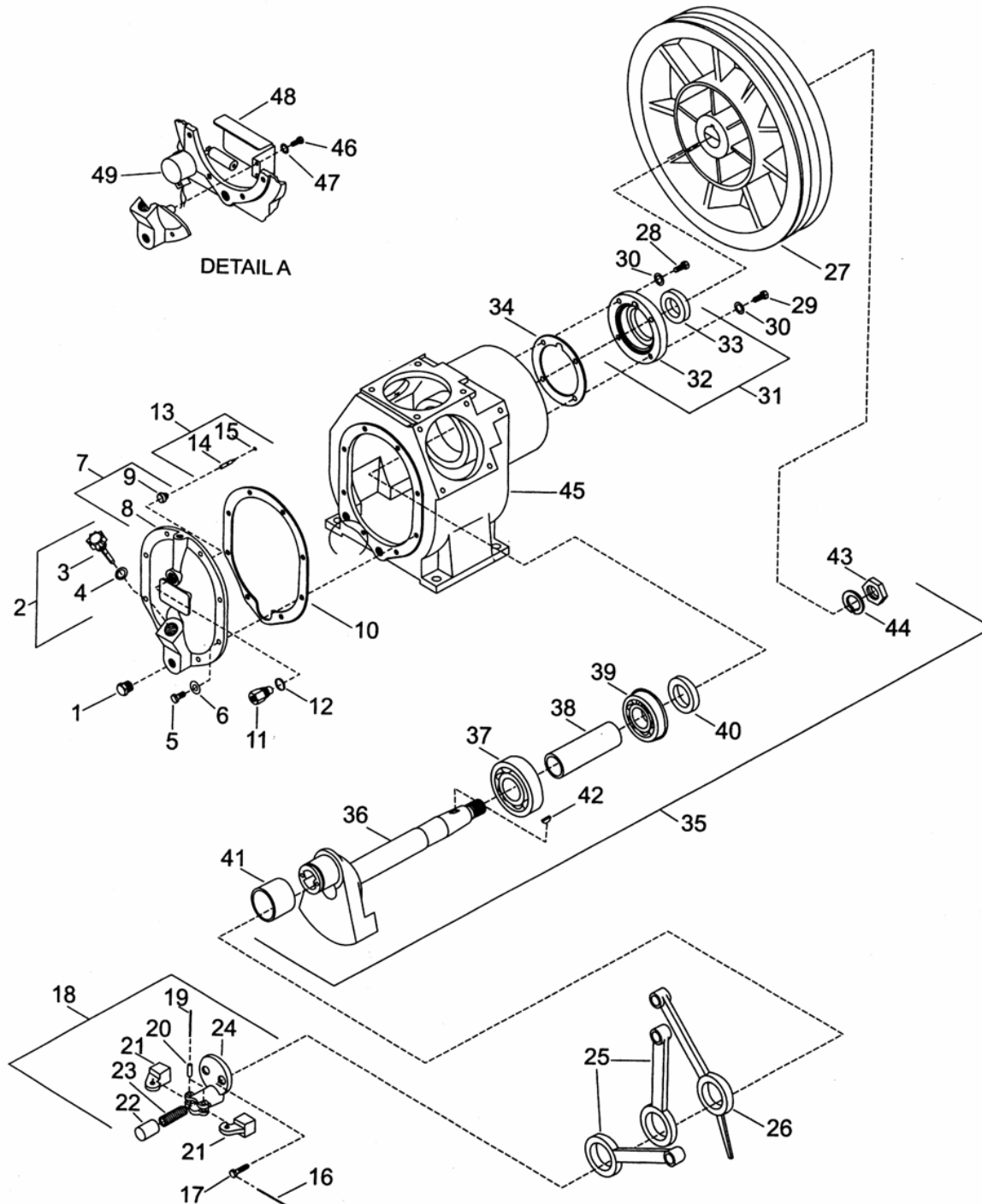


1. COMPRESSOR FRAME ASSEMBLY - MODEL 3000



All manufacturer's names, numbers, photos, product description and/or part numbers are used for reference purposes only & it is not implied that any part listed is the product of these manufacturers. Since Approvement are made from time to time, the illustration and specifications are subject to change without notice.

1. COMPRESSOR FRAME ASSEMBLY - MODEL 3000

No.	Description	Ref Part No.	QTY
1-1	Plug, Oil Drain	95344651	1
1-2	Plug, Oil Fill - Complete	30289003	1
1-3	– Plug, Oil Fill	NSS	1
1-4	– O-Ring, Oil Fill Plug	95022158	1
1-5	Capscrew, Hex - 3/8-16 X 1"	95035333	8
1-6	Washer, Copper - 3/8"	95674677	8
1-7	Assembly, Frame End Cover	37128089	1
1-8	– Cover, Frame End	NSS	1
1-9	– Bushing, Pilot Valve	37128261	1
1-10	Gasket, Frame End Cover	30439285	1
1-11	Valve, Pilot	37113701	1
1-12	Washer, Copper	30346597	1
1-13	Assembly, Thrust Pin	32218406	1
1-14	– Pin, Thrust	NSS	1
1-15	– O-Ring	95022695	1
1-16	Lockwire - 12 GA X 5"	90799289	1
1-17	Capscrew - Hex 3/8-16 X 1"	95101929	2
1-18	Assembly, Crankpin Cap - Centrifugal Unloader	30290936	1
1-19	– Lockwire - 12 GA X 5"	90799271	1
1-20	– Pin, Centrifugal Unloader Weight	30214951	2
1-21	– Weight, Centrifugal Unloader	30220875	2
1-22	– Plunger, Centrifugal Unloader	30285688	1
1-23	– Spring, Centrifugal Unloader	30672281	1
1-24	– Body, Crankspin Cap	30210322	1
1-25	Rod, Connecting - First Stage (Low Pressure)	32003659	2
1-26	Rod, Connecting - Second Stage (High Pressure)	32003642	1
1-27	Beltwheel	32177180	1
1-28	Capscrew - Hex 3/8-16 X 1"	95035333	2
1-29	Capscrew - Hex 3/8-16 X 1-1/4"	95043766	2
1-30	Washer, Copper - 3/8"	95674677	4
1-31	Assembly, Crankshaft End Cover	32499881	1
1-32	– Cover, Crankshaft End	NSS	1
1-33	– Seal, Oil	32498958	1
1-34	Gasket, Crankshaft End Cover	30294961	1
1-35	Assembly, Crankshaft - Complete	32310054	1
1-36	– Assembly, Disc and Crankshaft	NSS	1
1-37	– Bearing, Ball	32295701	1
1-38	– Spacer, Main Bearing	30218457	1

All manufacturer's names, numbers, photos, product description and/or part numbers are used for reference purposes only & it is not implied that any part listed is the product of these manufacturers. Since Approvement are made from time to time, the illustration and specifications are subject to change without notice.

1. COMPRESSOR FRAME ASSEMBLY - MODEL 3000

No.	Description	Ref Part No.	QTY
1-39	– Bearing, Ball - Main Snap Ring	95305645	1
1-40	– Ring, Bearing Retainer	30216824	1
1-41	– Bushing, Crankpin	32295875	1
1-42	– Key, Woodruff	95083721	1
1-43	– Nut, Beltwheel	30287668	1
1-44	– Lockwasher, Spring -1-3/8"	95265690	1
1-45	Frame, Compressor	32270621	1
	Detail A - Low Oil Level Switch		
1-46	Capscrew - Hex 1/4-20 X 1/2"	95053070	2
1-47	Lockwasher, Spring - 1/4"	95043196	2
1-48	Baffle, Low Oil Level Switch	32304347	1
1-49	Switch, Low Oil Level - Nema 1	32201527	1

All manufacturer's names, numbers, photos, product description and/or part numbers are used for reference purposes only & it is not implied that any part listed is the product of these manufacturers. Since improvement are made from time to time, the illustration and specifications are subject to change without notice.