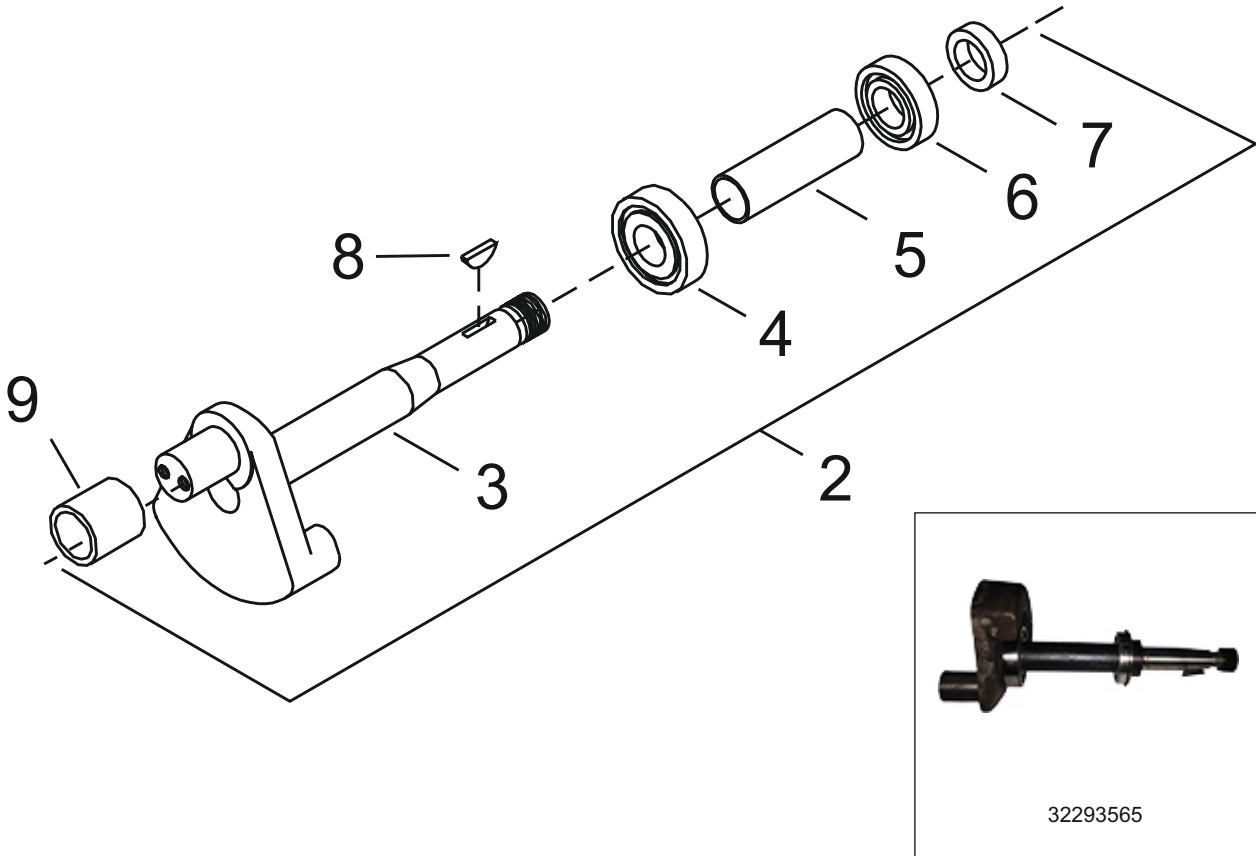


# 32293565\* - ASSEMBLY CRANKSHAFT COMPLETE WITH BUSHING



No.	Description	Ref Part No.	QTY
1-2	Assembly, Crankshaft Complete With Bushing	32293565*	-
1-3	- Assembly, Disk & Shaft	NSS	1
1-4	- Bearing, Ball	32248122	1
1-5	- Spacer, Crankshaft Bearing	32006496	1
1-6	- Bearing, Ball with Snap Ring	95213666	1
1-7	- Ring, Bearing Retainer	37127669	1
1-8	- Key, Woodruff	95433173	1
1-9	- Bushing, Crankpin	30210199	1