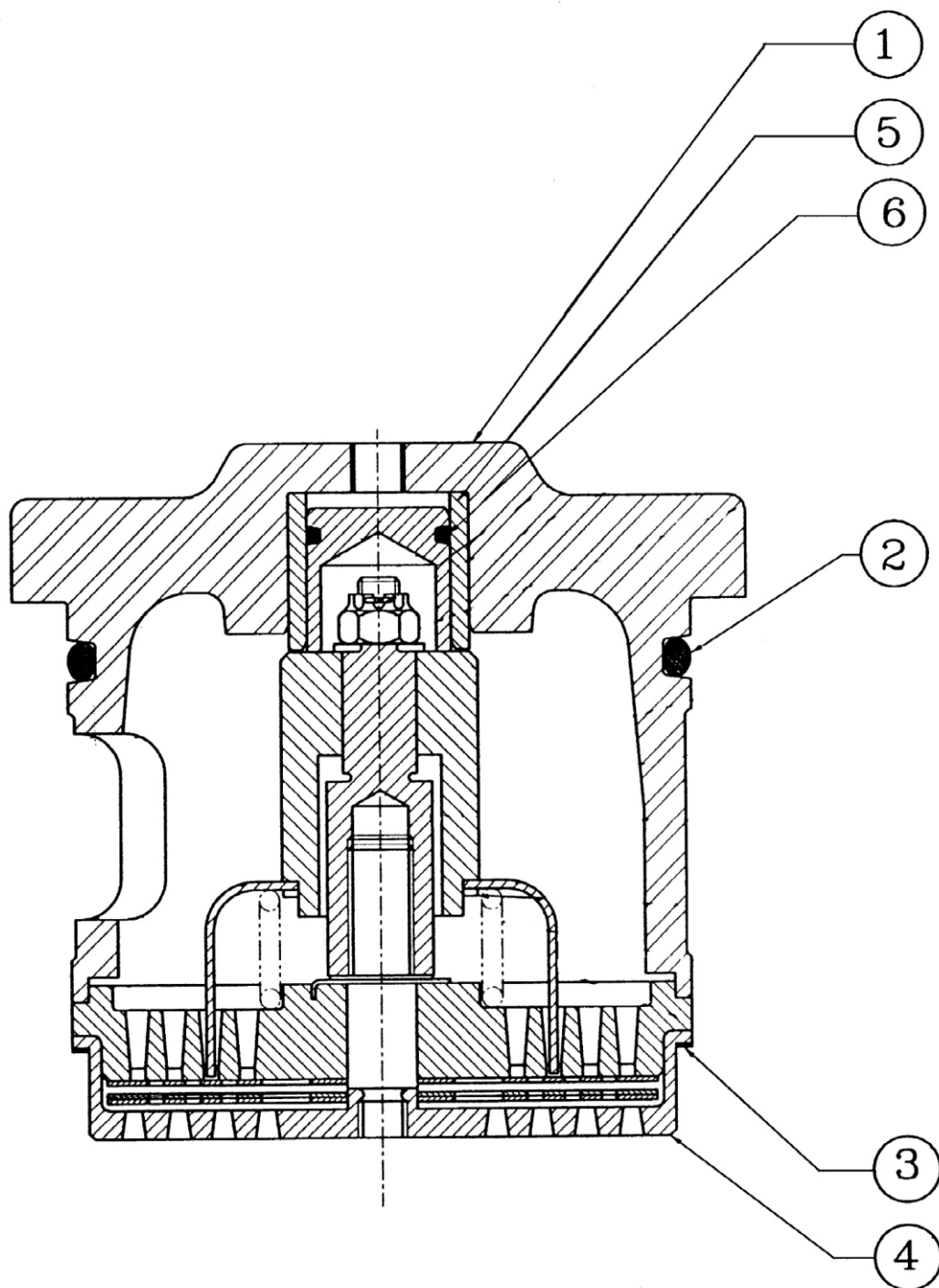


8. SECOND STAGE SUCTION VALVE COVER ASSEMBLY



All manufacturer's names, numbers, photos, product description and/or part numbers are used for reference purposes only & it is not implied that any part listed is the product of these manufacturers. Since Approvement are made from time to time, the illustration and specifications are subject to change without notice.

8. SECOND STAGE SUCTION VALVE COVER ASSEMBLY

No.	Description	Ref Part No.	QTY
1	Valve Cover	C0263198	1
2	'O' Ring For Cover	H0221170	1
3	Cu. Washer	M3637170	1
4	Suction Valve Assly.	Z2569196	1
6	'O' Ring For Piston (Dia 35)	H0210170	1
-	Valve Service Kit	Z2577196	1