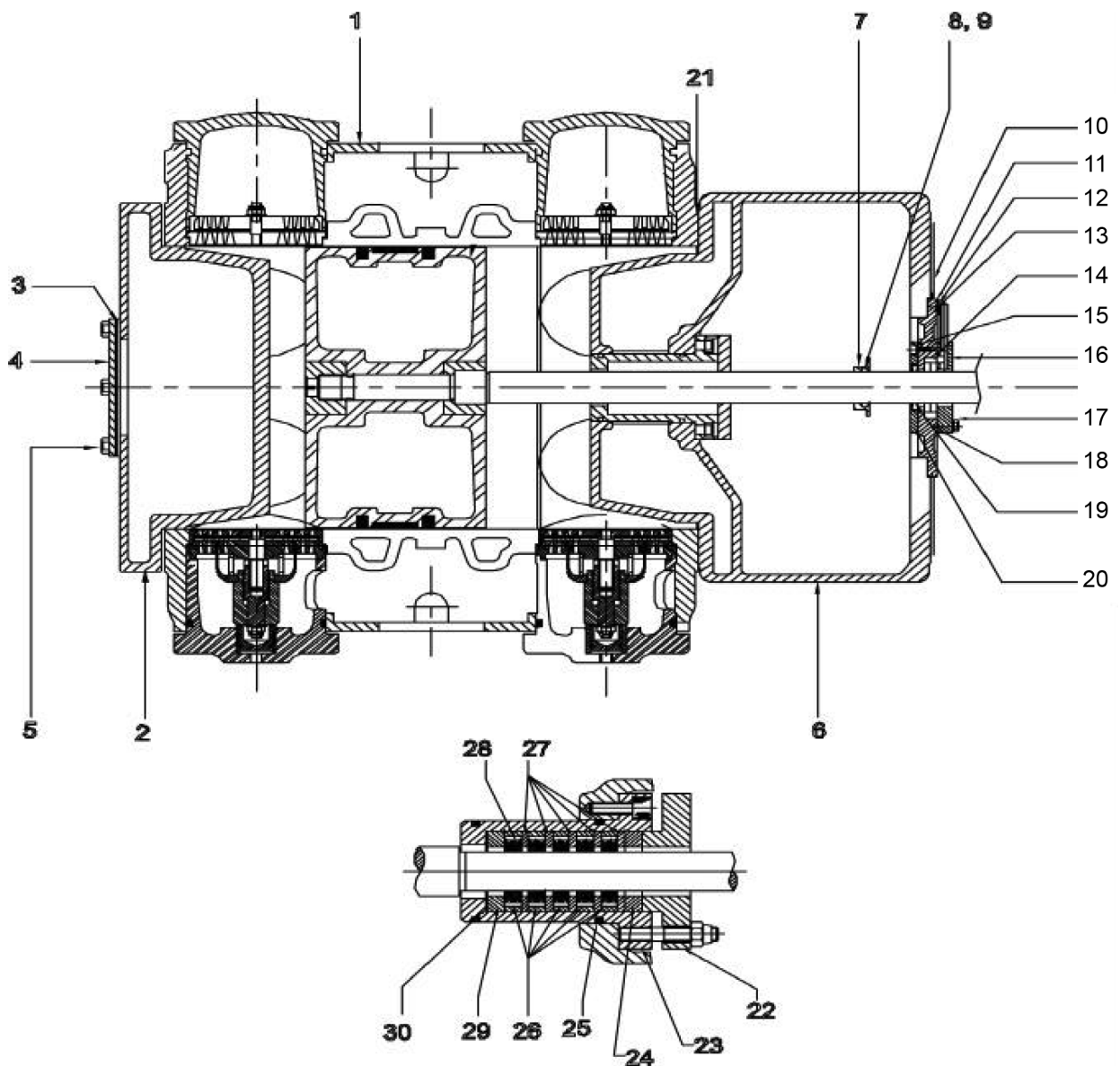


4. AIR CYLINDER ASSEMBLY DIA 370 (For 180/215LP)



All manufacturer's names, numbers, photos, product description and/or part numbers are used for reference purposes only & it is not implied that any part listed is the product of these manufacturers. Since Approvement are made from time to time, the illustration and specifications are subject to change without notice.

4. AIR CYLINDER ASSEMBLY DIA 370 (For 180/215LP)

No.	Description	Ref Part No.	QTY
1	370 cyl., Heads, Piston Assly.	Z1737163	1
-	Cylinder Dia. 370	1901060720	1
2	Outer Head D. 370	1901060720	1
3	*Gasket for Closing Plate	H0733151	1
4	*Closing Plate	B3613151	1
5	Socket Head Screw	0211147903	12
6	Air Cylinder Head Assembly (Inner)	Z1674164	1
-	Inner Head Dia. 370	B0576163	1
6	Gasket between Cyl. Hd. And Cylinder	H0753162	2
7	Deflector	D9651163	1
8	'O' Ring for Deflector	H0215163	1
9	Grub Screw M5 x10	M2844150	2
10	Gasket between Frame & Cyl. Hd. Inner	H0760162	1
11	Gasket for Gland Box	H0755162	1
12	Hex Hd. Screw M10x25	M2615150	8
13	Gland Box for Oil Wiper Ring	C6111162	1
14	Oil Wiper Ring (Pair)	H1445162	1
15	Soc. Hd. Screw M6*15	M2855150	4
16	Cover for Oil Wiper Ring	B7221162	1
17	Hex Hd. Screw M8x30	M2623150	4
18	Gasket for Cover	H0756162	1
19	Sealing Ring	H2753162	1
20	Cover for sealing Ring	B3861162	1
21	Gasket for Water Passage	H0754162	12
22	Packing Flange	C4482162	1
23	*Stuffing Box	B1807162	1
24	Sleeve	D9655165	1
25	**O' Ring	H0216150	2
26	Outer Sleeve	D9653165	3
27	Intermediate Sleeve	D9654165	2
28	Packing ring with Spring	H1444162	6
29	Packing Sleeve	D9652165	2
30	Aluminium Washer	H0763150	1