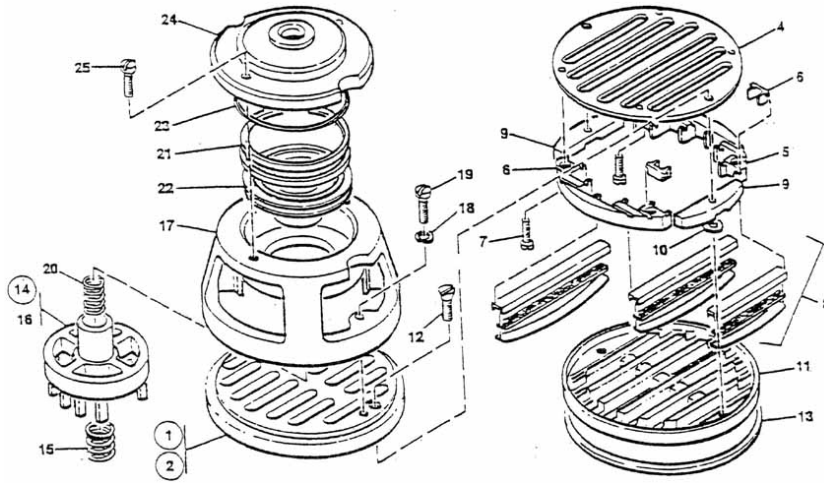


39685995 - VALVE COMPLETE FAU & INLET



No.	Description	Ref Part No.	QTY
-	VALVE COMPLETE FAU & INLET	39685995	-
7-1	- VALVE - INLET COMPL.	39685979	1
7-2	-- SEAT COMPL - INLET	37034642	1
7-4	-- PLATE - SEAT	37020781	1
7-5	-- HOLDER - GUIDE	37039146	2
7-6	-- GUIDE - VALVE (BOX OF 24)	37026424	1
7-7	-- SCREW - BUTTON HD	37025988	4
7-8	-- SET - CHAN & SPRING	30514921	1
7-9	-- BALANCER - FLOW	37074051	2
7-10	-- WASHER	37039377	2
7-11	-- STOPPLATE - INLET	37020930	1
7-12	-- SCREW - FLT HD MACHINE	95110599	2
7-13	- GASKET - VLV SEAT	30550818	1
7-14	- UNLOADER - FAU COMPL.	39691456	1
7-15	-- SPRING-LIFTING	39494307	1
7-16	-- PLUNGER-UNLOADER	34064311	1
7-17	-- CAGE-UNLOADER	30907158	1
7-18	-- WASHER - LOCK	95081873	2

39685995 - VALVE COMPLETE FAU & INLET

No.	Description	Ref Part No.	QTY
7-19	-- SCREW - FILL HD MACH	95111134	2
7-20	-- SPRING - UNLOADING	30606826	1
7-21	-- RING - PISTON	34129312	1
7-22	-- PISTON - UNLOADER	34074567	1
7-23	-- GASKET - UNLOADER	95022307	1
7-24	-- COVER - UNLOADER	37123775	1
7-25	-- SCREW - FILL HD MACH	95262069	2