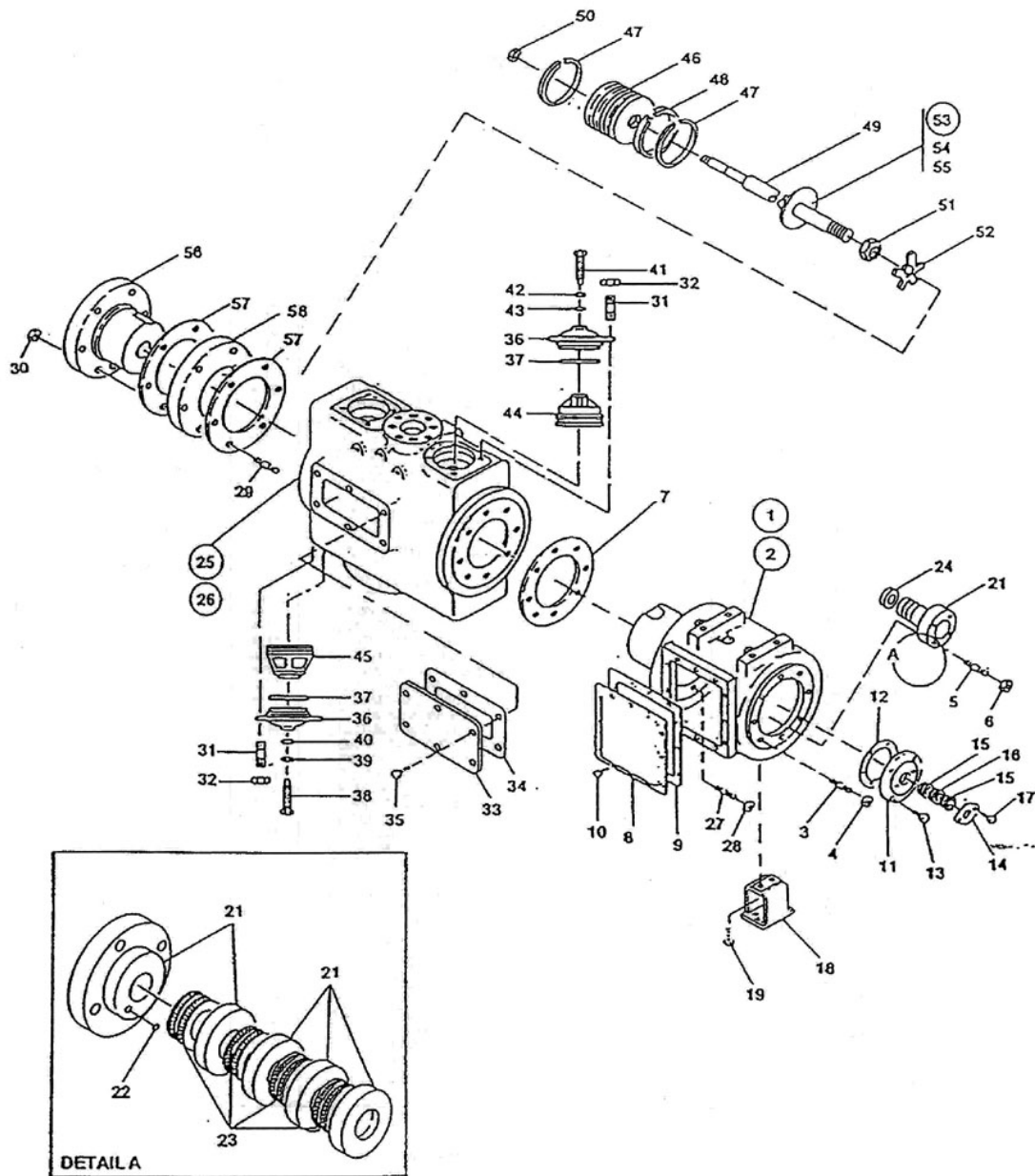


3. AIR END 7 INCH - MODEL 7 & 4 X 7 PHE NL



All manufacturer's names, numbers, photos, product description and/or part numbers are used for reference purposes only & it is not implied that any part listed is the product of these manufacturers. Since Approvement are made from time to time, the illustration and specifications are subject to change without notice.

3. AIR END 7 INCH - MODEL 7 & 4 X 7 PHE NL

No.	Description	Ref Part No.	QTY
4	Air Complete - 7	–	1
4-1	– Piece - Fr Hd & Dist Compl	–	1
4-2	– – Piece - Fr HD & Dist Assembly	42361923	1
4-2	– – – Piece - Fr HD & Dist.	39811658	NSS
4-3	– – – Stud - Frame Head	95737417	8
4-4	– – – Nut	95077822	8
4-5	– – – Stud Packing	95593695	4
4-6	– – – Nut	95077822	4
4-*	– – – Pipeplug	95593703	2
4-*	– – – Pipeplug	95101044	2
4-*	– – – Pipeplug	95033619	2
4-*	– – Bushing-Reducing	95038188	2
4-7	– – Gasket-Frame Hd	39550199	1
4-8	– – Cover-Dist Piece	37133394	2
4-9	– – Gasket-Cover	37068293	2
4-10	– – Capscrew-Cover	95104147	24
4-11	– – Plate-Partition	37133402	1
4-12	– – Gasket-Part Plate	37123171	1
4-13	– – Capscrew-Part Plate	95103792	4
4-14	– – Gland-Oil Scraper	30477632	1
4-15	– – Ring-scrapper	95009197	2
4-16	– – Ring-scrapper	95045936	1
4-17	– – Capscrew-Gland	95104188	2
4-18	– – Foot-Dist Piece	39535588	1
4-19	– – Capscrew-Foot	95035424	2
4-*	– – Strainer-Wtr Inlet	37073194	1
4-21	– Case-Packing	39307889	1
4-22	– – O-Ring	95018008	4
4-23	– Ring & Spring	39197645	1
4-24	– Gasket Packing	30586127	1
4-25	– Cylinder complete	–	1
4-26	– – Cylinder Assembly	–	1
4-*	– – – Cylinder	37134376	NSS
4-27	– – – Stud-Frame Head	95767588	8
4-28	– – – Nut	95210480	8
4-29	– – – Stud-Outer Head	95144986	6
4-30	– – – Nut	95210480	6
4-31	– – – Stud-Vlv Cvr	95684205	16
4-32	– – – Nut	95077822	16

All manufacturer's names, numbers, photos, product description and/or part numbers are used for reference purposes only & it is not implied that any part listed is the product of these manufacturers. Since Approvement are made from time to time, the illustration and specifications are subject to change without notice.

3. AIR END 7 INCH - MODEL 7 & 4 X 7 PHE NL

No.	Description	Ref Part No.	QTY
4-*	--- Pipeplug	95033619	2
4-*	--- Pipeplug	95033593	4
4-33	--- Cover-Water	39535661	2
4-34	--- Gasket-Wtr Cvr	39535638	2
4-35	--- Capscrew-Wtr Cvr	95104147	12
4-36	-- Cover-Valve	37133584	4
4-37	-- Gasket-Vlv Cvr	30550842	4
4-38	-- Setscrew-Inlet	SEE FIG. 8	2
4-39	-- Nut-Setscrew	95077749	2
4-40	-- Gasket-Nut (Inches)	37759438	8
4-*	-- Pipeplug	95033593	2
4-41	-- Setscrew-Discharge	30572580	2
4-42	-- Nut-Setscrew	95077749	2
4-43	-- Gasket Nut (Inches)	37759438	8
4-*	-- Holder-Valve	37077252	1
4-44	- Valve-Discharge	SEE FIG. 6	2
4-45	- Valve-Inlet	SEE FIG. 7 & 8	2
4-46	- Piston	39535455	1
4-47	- Ring-Piston	39197686	2
4-48	- Ring-Wearing	39197678	1
4-49	- Rod-Piston	39537063	1
4-50	- Nut-Piston	34578799	1
4-51	- Nut-Xhead Jam	30565675	1
4-52	- Washer-Lock	30589568	1
4-53	- Plate-Oil Stop complete	37802279	1
4-54	-- Plate-Oil Stop	30253025	1
4-55	-- Clamp	95235131	1
4-56	- Head-Outer	37134228	1
4-57	- Gasket-Outer Head	39550090	2
4-58	- Ring-Filler	39487053	1

All manufacturer's names, numbers, photos, product description and/or part numbers are used for reference purposes only & it is not implied that any part listed is the product of these manufacturers. Since Approvement are made from time to time, the illustration and specifications are subject to change without notice.