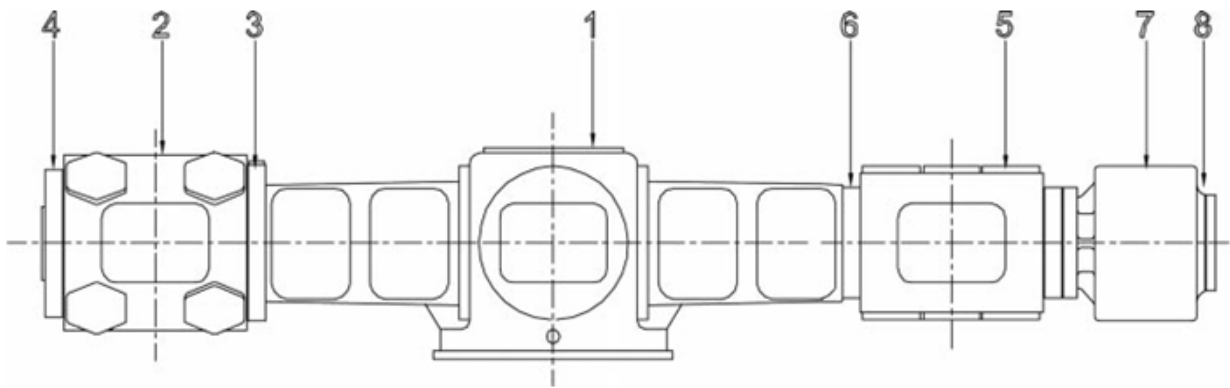


1. HP 40 PD COMPRESSOR BLOCK



All manufacturer's names, numbers, photos, product description and/or part numbers are used for reference purposes only & it is not implied that any part listed is the product of these manufacturers. Since Approvement are made from time to time, the illustration and specifications are subject to change without notice.

1. HP 40 PD COMPRESSOR BLOCK

No.	Description	Ref Part No.	QTY
1	Frame Assly.	1901800419	1
2	Cylinder Assly. 1 st Stage (250dia.)	1901800808	1
3	Inner Head Assly. 1 st Stage (250dia.)	1901800810	1
4	Outer Head Assly. 1 st Stage (250dia.)	1901800809	1
5	Cylinder Assly. 2 nd Stage (160dia.)	1901800821	1
6	Inner Head Assly. 2 nd Stage (160dia.)	1901800822	1
7	Cylinder Assly. 3 rd Stage (85dia.)	1901800837	1
8	Outer Head Assly. 3 rd Stage (85dia.)	1901800838	1