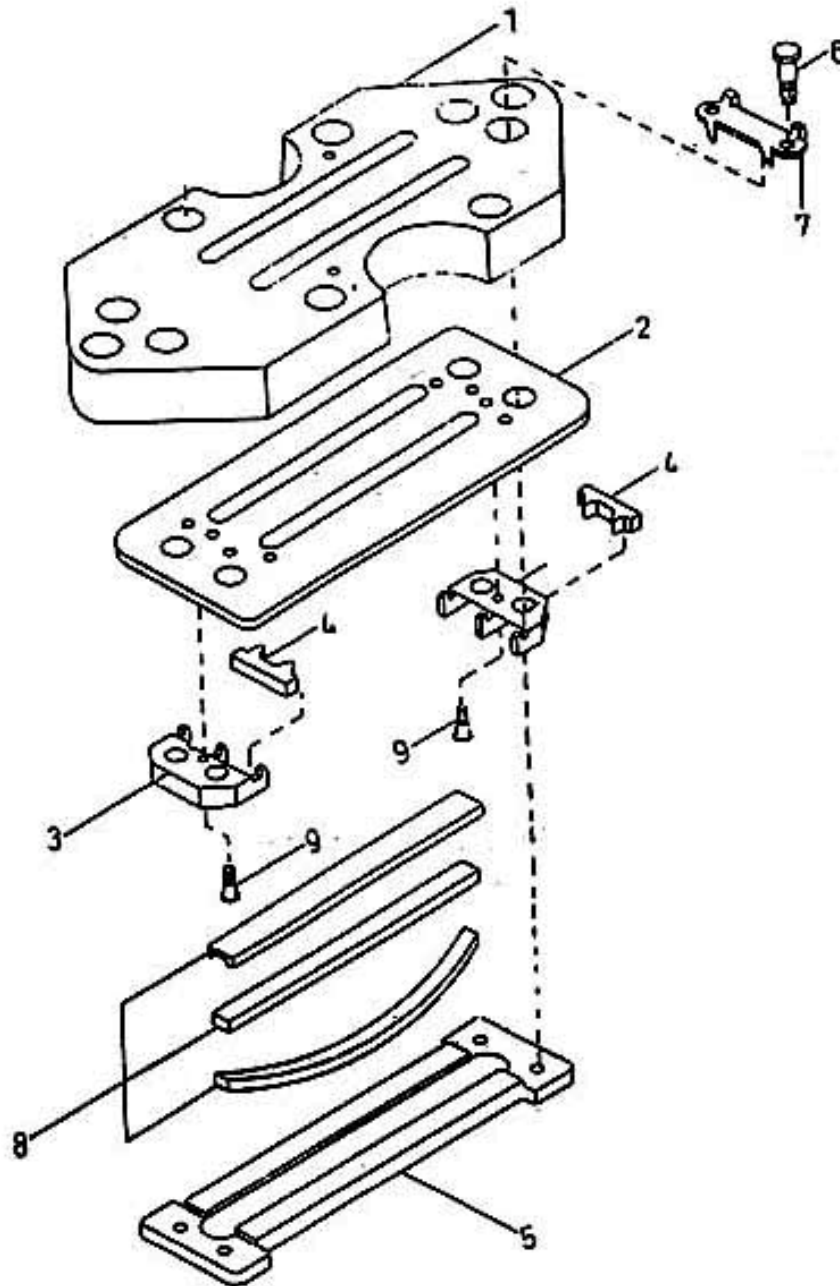


21. ASSEMBLY VALVE INLET - MODEL 9.5 x 5 NL



All manufacturer's names, numbers, photos, product description and/or part numbers are used for reference purposes only & it is not implied that any part listed is the product of these manufacturers. Since Approvement are made from time to time, the illustration and specifications are subject to change without notice.

21. ASSEMBLY VALVE INLET - MODEL 9.5 x 5 NL

No.	Description	Ref Part No.	QTY
–	Assembly Valve Inlet	37020419	–
1	– Seat Valve	37074762	1
2	– Seat Plate	37021581IM	1
3	– Holder Guide	31535867IM	2
4	– Guide Valve **	37041324	4
5	– Stop Plate	30252944	1
6	– Bolt Hex Head 1/4" X 1-1/2"	95105466	6
7	– Washer Lock	31225485	2
8	– Channel & Spring Set	30504450IM	1
9	– Screw Guide	31208549IM	2