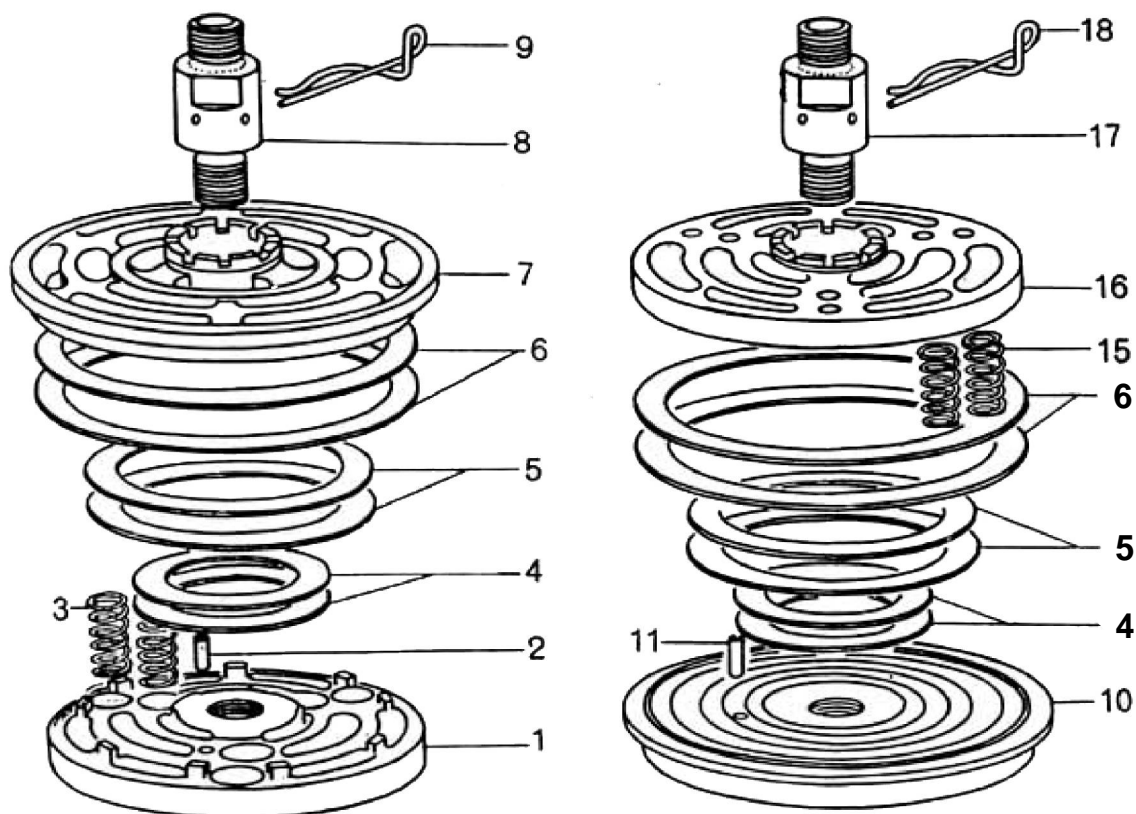


6. Valve Parts



No.	Description	Ref. Part No.	QTY
—	Valve suction, compl.	1613119180	3
1	– Guard, Valve	1613119100	1
2	– Pin, locating FRP 4 x 18	0108123900	1
3	– Spring	1002275200	6
–	– Valve Plate Micro Finish (Set of 3 pcs.)	VT MICRO	1
–	– Valve Plate Grinding Finish (Set of 3 pcs.)	VT GRIND	1
4	-- Disc. Valve dia 54 mm	1000405000	2
5	-- Disc. Valve dia 80 mm	1000405100	2
6	-- Disc. Valve dia 160 mm	1000701300	2
7	– Seat for valve	1002259400	1
8	– Bolt, centering	1002133300	1
9	– Lock spring	1002133500	1
---	Valve, delivery, compl.	1613119280	3
10	– Seat for valve	1002259300	3
11	– Pin, locating FRP 4 x 18	0108123900	1
–	– Valve Plate Micro Finish (Set of 3 pcs.)	VT MICRO	1
–	– Valve Plate Grinding Finish (Set of 3 pcs.)	VT GRIND	1
4	-- Plate, valve dia 54 mm	1000405000	2
5	-- Plate, valve dia 80 mm	1000405100	2
6	-- Plate, valve dia 106 mm	1000701300	2
15	– Spring	1002275200	6
16	– Backplate	1613119200	1
17	– Bolt, centering	1002133300	1
18	– Lock spring	1002133500	1