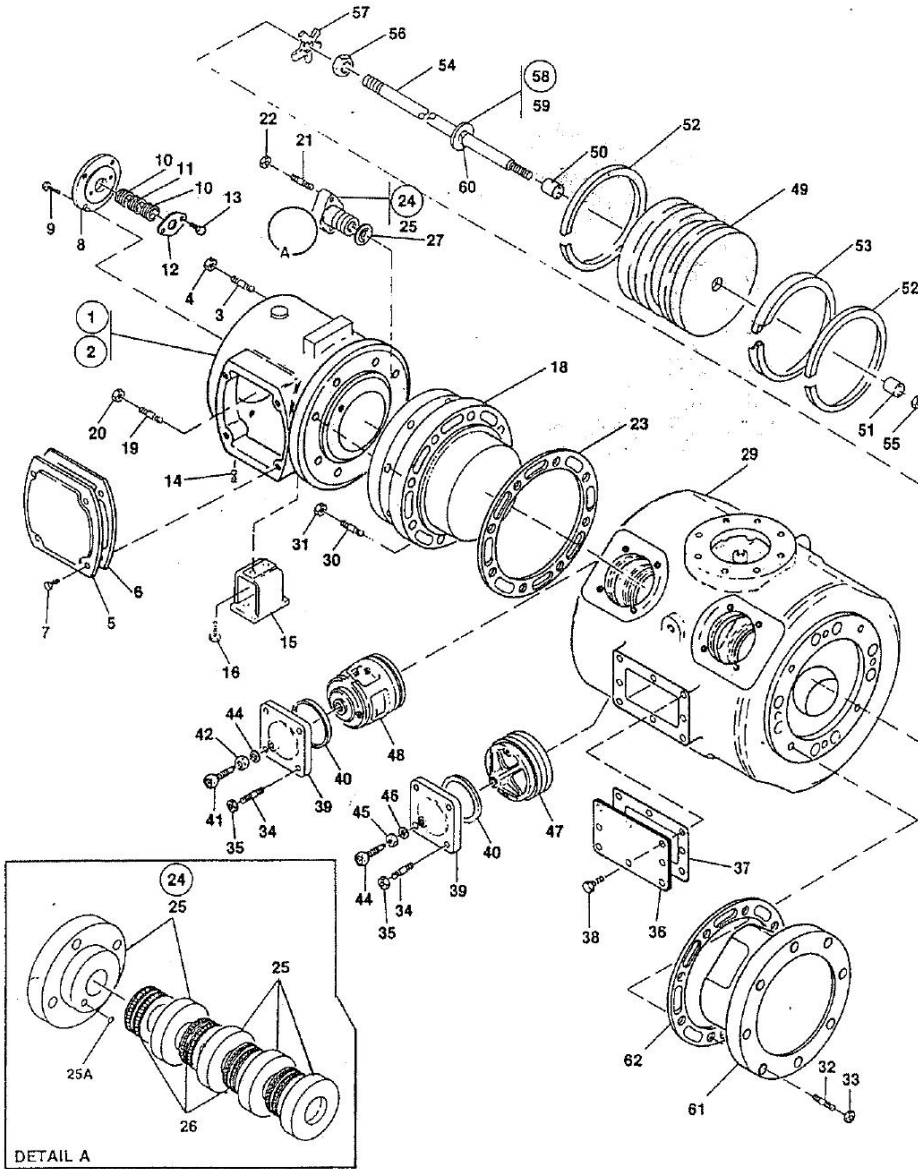


3 PISTON ROD ASSEMBLY - MODEL - 12 & 7 X 7 PHE7 NL

FIGURE 3
12" AIR END



3 PISTON ROD ASSEMBLY - MODEL - 12 & 7 X 7 PHE7 NL

Sr.No	Description	Ref Part Nos	Qty
–	. . ASSEMBLY PISTON ROD 12 X 7 (LIQ.NIT.)	70410394	1
3-54	. . . ROD PISTON LIQ. NITRIDED 12X7	39583307	1
3-55	. . . NUT PISTON RD	30590665	1
3-56	. . . NUT JAM 7 INCH STROKE	30565675	1
3-57	. . . WASHER LOCK STAR 7 STK	30589568	1
–	. . ASSEMBLY PISTON 12X7PHE CPI RINGS	70412465	1
3-53	. . . RING WEARING 12X7 CPI	54576780IM	1
3-49	. . . ASSEMBLY PISTON 12X7 PHE NL	70405543	1
3-52	. . . RING PISTON 12X7 CPI	54576798IM	2
3-50	. . . COLLAR PISTON ROD	30558183	1
3-51	. . . COLLAR PISTON ROD	30558191	1
–	. . ASSEMBLY OIL STOP PLATE EXPORT	37802279	1
3-58	. . . PLATE OIL STOP	30253025	1
3-59	. . . CLAMP	95235131	1
–	. . ASSEMBLY DISTANCE PIECE	42432294	1
3-1	. . . ASSEMBLY DISTANCE PIECE	39649215	1
3-2 DISTANCE PIECE LP 12X7 PHE-7	39781448	1
3-19 STUD 3/4IN X 2-3/4IN	95093662	8
3-20 NUT HEX 3/4 UNC ESV	95077822	8
3-5	. . . COVER DISTANCE PIECE IHE/PHE	39878046	1
3-6	. . . GASKET COVER DISTANCE PIECE	30562664	1
3-7	. . . SCREW CAP HEX 1/2INX 1IN	95104147	4
3-14	. . . PLUG PIPE SQ.HD.1 NPT	95101044	2
3-12	. . . PLATE PARTITION PHE	70405832	1
3-13	. . . SCREW CAP HEX HEAD 1/2 X 1-3/4 LG , GR = 5	95104188	2
3-8	. . . GLAND 7 STK ESH OIL SCRAPER	30477632	1
3-9	. . . SCREW CAP HEX HEAD 3/8 X 1.5 " LG GRADE 5	95103792	4
3-10	. . . RING SCRAPER-1.5 INCH ROD	54491378IM	2
3-11	. . . RING SCRAPER-1.5 INCH ROD	54491386IM	1
3-15	. . . FOOTPIECE IHE	97073118	1
3-16	. . . SCREW CAP HEX HEAD 5/8 X 1-1/2	95104436	2
–	. . ASSEMBLY PACKING CASE AND RINGS	42428003I	1
3-24	. . . PACKING CASE METALLIC TYPE	37116944	1
3-25 FLANGE PACKING CASE	97071294	1
3-25 CUP PACKING CASE	97071302	2
3-25 CUP PACKING CASE END	97071310	1
3-26	. . . RING PACKING	95062469	3
3-27	. . . GASKET PACKING CASE	39312962	1
–	. . ASSEMBLY OUTER HD WITH GSKT	42434191	1
3-61	. . . HEAD OUTER 12X7 PHE-7	70407515	1
3-62	. . . GASKET FR HEAD 12X7 PHE SPL	70436290	1
–	. . ASSEMBLY FR. HD. 12X7 PHE-7	42422501	1
–	. . . ASSEMBLY SUB FR. HD. 12X7 PHE-7NL	42422527	1
3-18 HEAD FRAME 12 CYL. PHE-7	39881727	1
3-19 STUD 3/4IN X 2-3/4IN	95093662	8
3-20 NUT HEX 3/4 UNC ESV	95077822	8
3-23	. . . GASKET FR HEAD 12X7 PHE SPL	70436290	1

3 PISTON ROD ASSEMBLY - MODEL - 12 & 7 X 7 PHE7 NL

3-21	. . . STUD 5/8IN X 4IN	95665659	2
3-22	. . . NUT HEX 5/8 UNC	95077814	2
–	. . . PLUG PIPE SQ.HD.3/4IN NPT	95002143	3
–	. . ASSEMBLY CYLINDER 12 X 7 IHE NL A54VLV	70432075	1
3-29	. . . CYLINDER 12 PHE-7	39881735	1
3-30	. . . STUD 3/4IN X 4-1/2IN	95593695	8
3-31/33	. . . NUT HEX 3/4 UNC ESV	95077822	8
3-32	. . . STUD 3/4IN X 4-1/4IN	95277091	8
3-31/33	. . . NUT HEX 3/4 UNC ESV	95077822	8
3-34	. . . STUD 3/4 X 3-3/4	95684205	32
3-35	. . . NUT HEX 3/4 UNC ESV	95077822	32
3-39	. . . COVER VALVE PHE	94499837	8
–	. . . GASKET VALVE COVER	30550917IM	8
–	. . . SCREW SET HEX HEAD	30572580	4
3-42	. . . NUT HEX 1IN	95077749	4
3-43	. . . GASKET NUT (1/8 LEAD WIRE)	37759438	1
3-44	. . . SCREW SET HEX HEAD	30572580	4
3-45	. . . NUT HEX 1IN	95077749	4
3-46	. . . GASKET NUT (1/8 LEAD WIRE)	37759438	1
–	. . . PLUG PIPE SQ.HD. 1/4 NPT	95033593	4
–	. . . PLUG PIPE SQ.HD.3/4IN NPT	95002143	4
–	. . . HOLDER VALVE	37077252	1
3-36	. . . COVER WATER CYL 17	37419934	2
3-37	. . . GASKET HANDHOLE COVER	39486147	2
3-38	. . . SCREW CAP HEX HEAD 1/2IN X 3/4IN	95104121	16