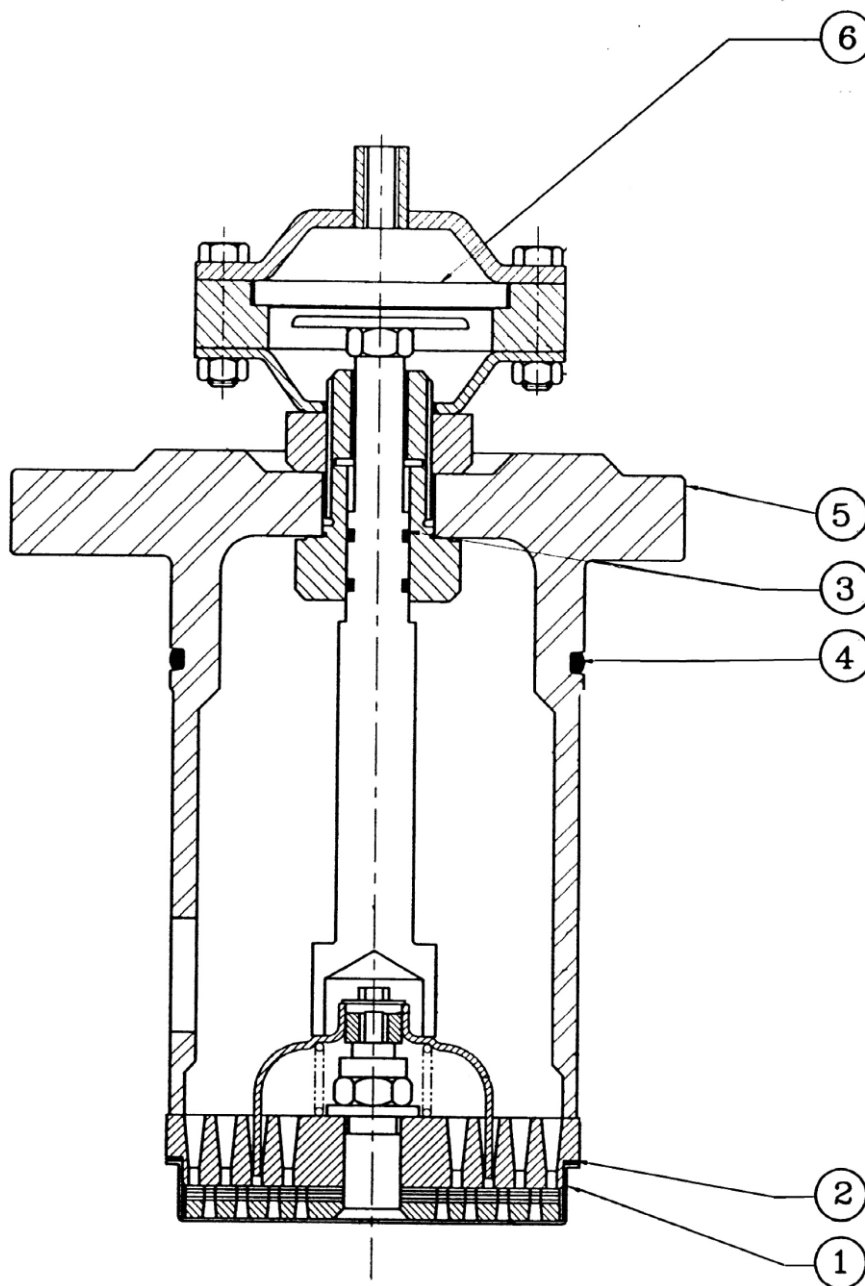


## 10. THIRD STAGE SUCTION VALVE COVER ASSEMBLY



All manufacturer's names, numbers, photos, product description and/or part numbers are used for reference purposes only & it is not implied that any part listed is the product of these manufacturers. Since Approvement are made from time to time, the illustration and specifications are subject to change without notice.

## 10. THIRD STAGE SUCTION VALVE COVER ASSEMBLY

No.	Description	Ref Part No.	QTY
1	Suction Valve Complete	Z2593196	1
2	Cu. Washer	M3624170	1
3	'O' Ring For Push Rod	H0238150	2
4	'O' Ring For Valve Cover	H0112150	1
5	Suction Valve Cover	C0265198	1
6	Diaphragm	H1209198	1
-	Service kit	Z2595196	1