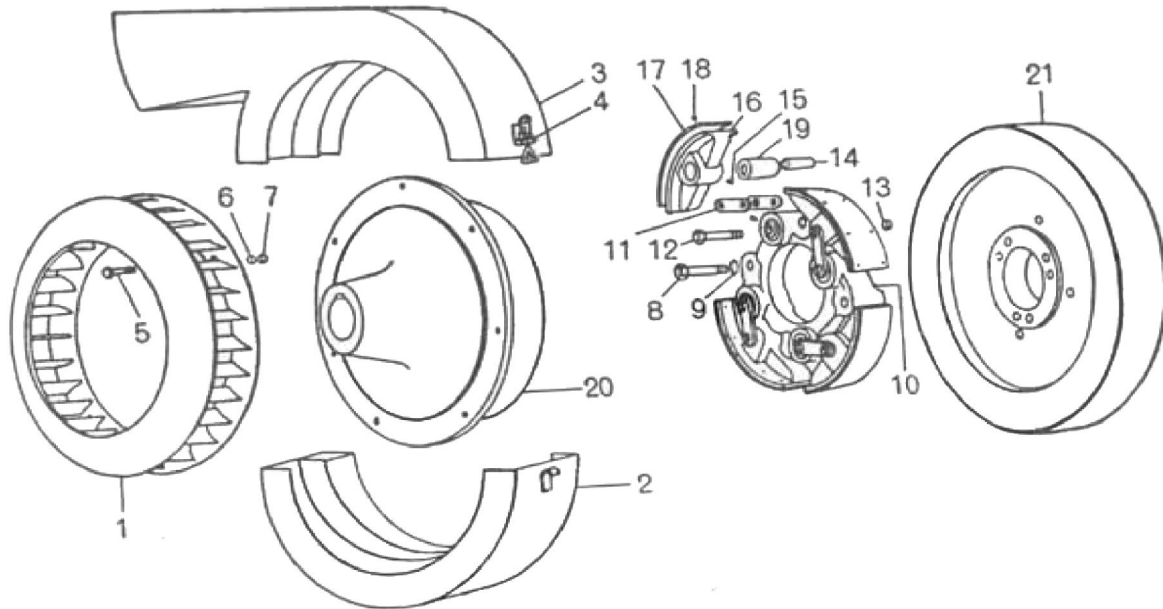


7. Clutch



No.	Description	Ref. Part No.	QTY
1	Fan (Not suppl. Sep.)	9718206300	1
2	Drum, fan, lower	1613013800	1
3	Drum, fan, upper	1613013902	1
4	- Latch, eccentric	1614084802	1
5	Screw U6S 5/16" x 1" D 80	0144324800	10
6	Spring washer FBB 8.2	0333212500	10
7	Nut, U6M 5/16" UNC	0268310500	10
8	Screw U6S 5/8" x 3" D 80	0144345400	4
9	Lock washer	1614012100	4
-	- Coupling, compl.	1020261600	1
10	- Hub with four bushes	1020261601	1
11	- Link	1020261605	8
12	- Screw 7/16" BSF x 3 3/8" with nut	1020261606	8
13	- Nut, 7/16" BSF	1020261611	8
14	- Bush	1020261604	8
15	- Grub screw 5/16" BSW x 3/8"	1020261609	4
-	- Shoe, compl. with Bush	1020261608	4
16	- Shoe (Not suppl. Sep.)	---	1
17	- Lining	1020261603	1
18	- Rivet	1020261610	8
19	- Bush	1020261607	1
20	Clutch, drum	1613010100	1
21	Flywheel	1615099100	1