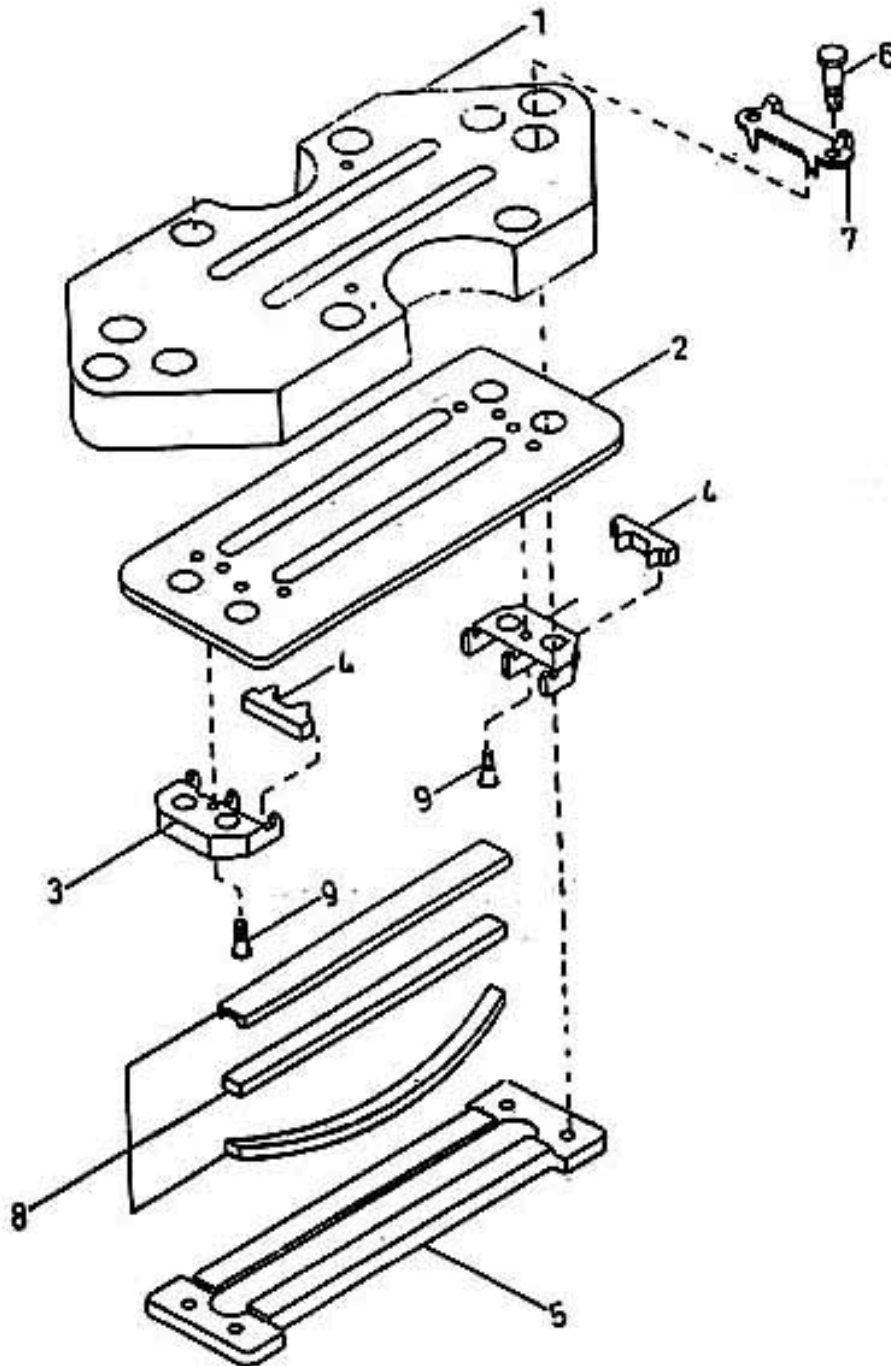


21. ASSEMBLY VALVE INLET - MODEL 8 x 5 NL



All manufacturer's names, numbers, photos, product description and/or part numbers are used for reference purposes only & it is not implied that any part listed is the product of these manufacturers. Since Approvement are made from time to time, the illustration and specifications are subject to change without notice.

21. ASSEMBLY VALVE INLET - MODEL 8 x 5 NL

No.	Description	Ref Part No.	QTY
–	Assembly Valve Inlet	37020542	–
1	– Seat Valve	37074739	1
2	– Seat Plate	37020567IM	1
3	– Holder Guide	37025517IM	2
4	– Guide Valve **	37041324	4
5	– Stop Plate	37020625	1
6	– Bolt Hex Head 1/4" X 1-1/2"	95105466	6
7	– Washer Lock	31172091	2
8	– Channel & Spring Set	37020617IM	1
9	– Screw Guide	31208549IM	2