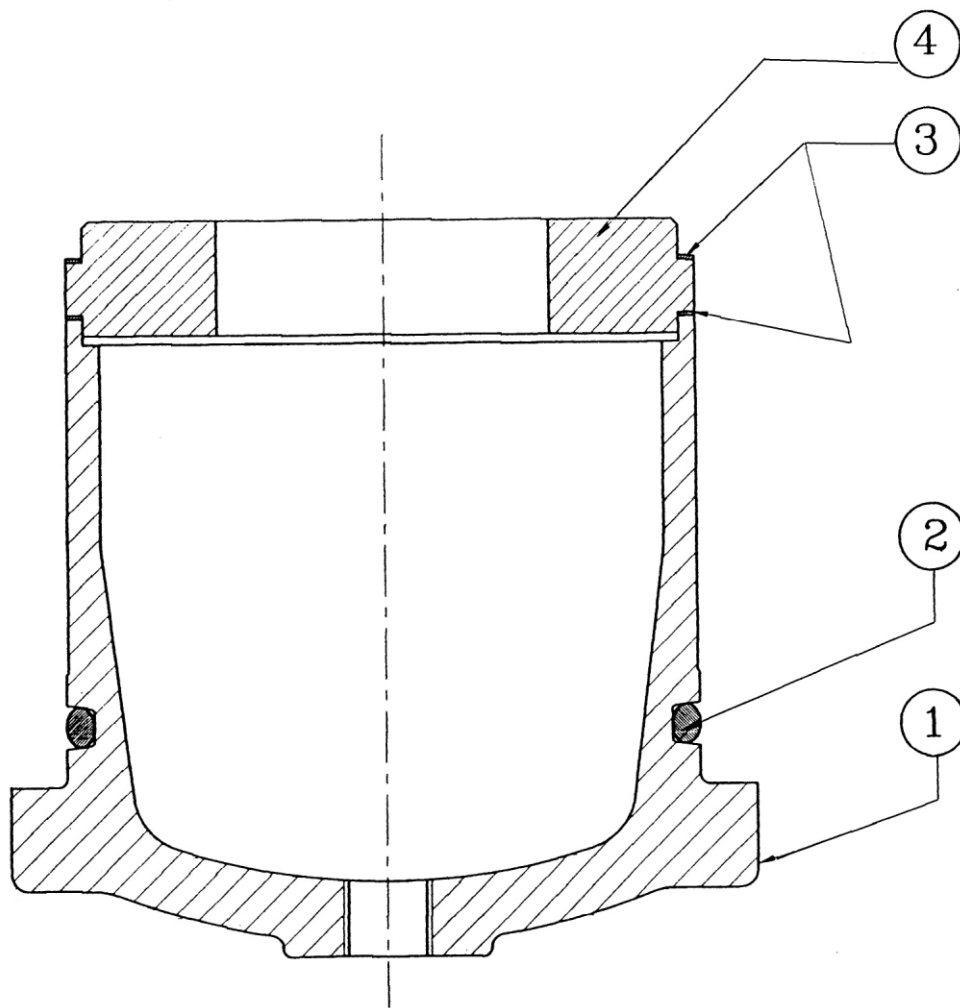


13. SECOND STAGE DISCHARGE VALVE COVER ASSEMBLY (OUTER SIDE)



All manufacturer's names, numbers, photos, product description and/or part numbers are used for reference purposes only & it is not implied that any part listed is the product of these manufacturers. Since Approvement are made from time to time, the illustration and specifications are subject to change without notice.

13. SECOND STAGE DISCHARGE VALVE COVER ASSEMBLY (OUTER SIDE)



No.	Description	Ref Part No.	QTY
1	Valve Cover	Y5101035	1
2	'O' Ring	H0221170	1
3	Cu. Washer	M3637170	2
4	Spacer Ring	C6195164	1

All manufacturer's names, numbers, photos, product description and/or part numbers are used for reference purposes only & it is not implied that any part listed is the product of these manufacturers. Since improvement are made from time to time, the illustration and specifications are subject to change without notice.