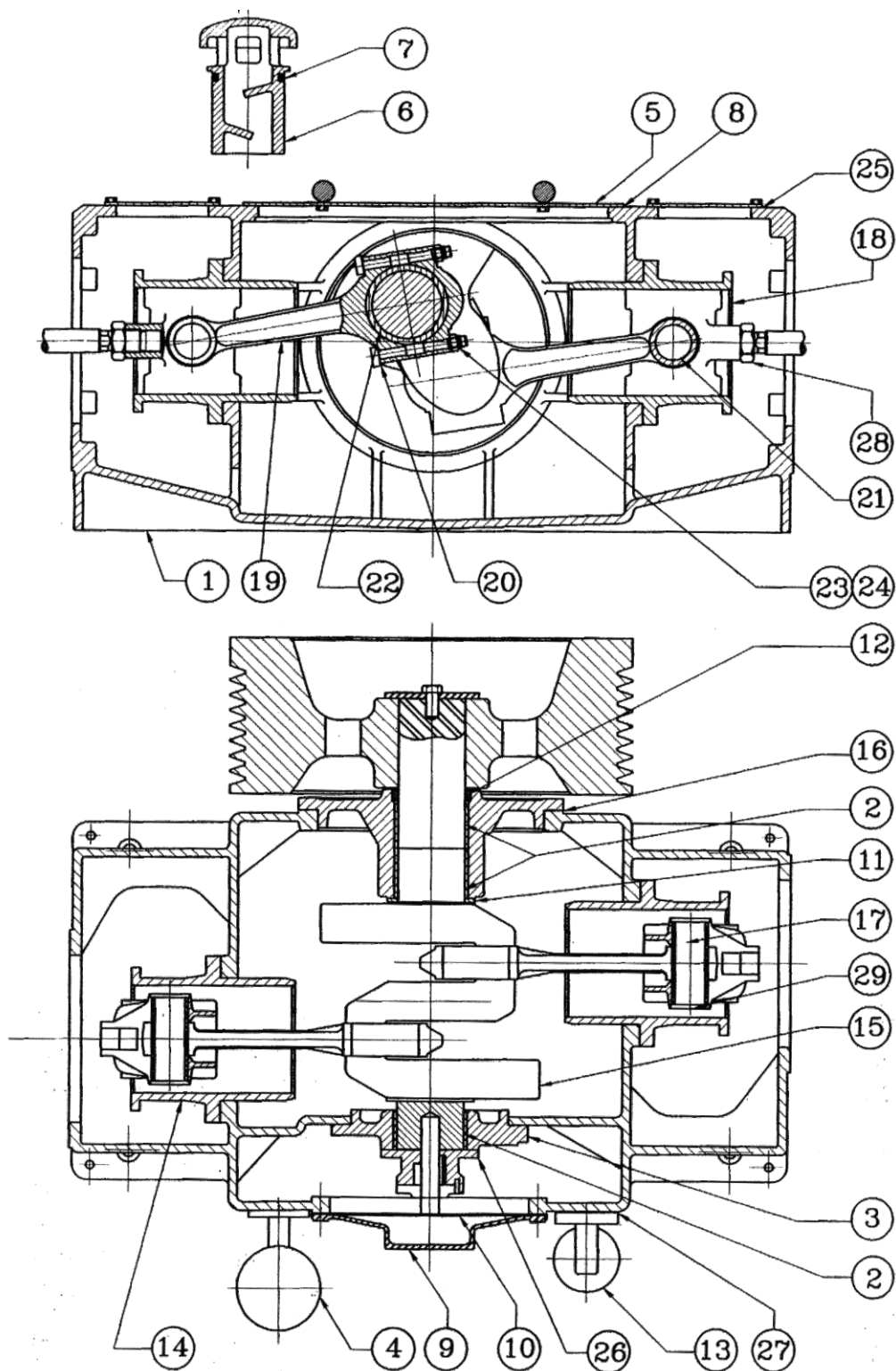


2. FRAME, CROSS SLIDE, CRANKSHAFT & CONNECTING ROD ASSEMBLY



All manufacturer's names, numbers, photos, product description and/or part numbers are used for reference purposes only & it is not implied that any part listed is the product of these manufacturers. Since Approvement are made from time to time, the illustration and specifications are subject to change without notice.

2. FRAME, CROSS SLIDE, CRANKSHAFT & CONNECTING ROD ASSEMBLY

No.	Description	Ref Part No.	QTY
1	Frame	B0109162	1
2	Main Bearing	M5480196	3
3	Cover Pump End	C0216162	1
4	Oil Cooler	K0413196	1
5	Top Cover For Frame	A8224196	2
6	Breather	C6110196	1
7	'O' Ring For Breather	H0208170	1
8	Gasket For Top Cover	H1503198	1
9	Cover Oil Pump End	C0225161	1
10	Gasket For Cover	H0750162	1
11	Thrust Washer	B6803196	2
12	Oil Seal Ring	H0302196	1
13	Oil Filter	K0601172	1
14	Cross Head	B1806196	2
15	Crankshaft Assembly	Z1815196	1
16	Gasket For Cover Flywheel End	H0749196	1
17	Cross Head Pin	C9515196	2
18	Cross Slide	B0610196	1
19	Connecting Rod Assembly	Z1814196	2
20	Connecting Rod Bolt	D3037196	4
21	Small End Bush	C9516196	2
22	Big End Bearing (Pair)	C9926196	2
23	Castle Nut	M2225170	4
24	Split Pin	M5105170	4
25	Gasket For Door	H1510198	2
26	Oil Pump Assembly	Z9361196	1
27	Gasket For Oil Filter	H1508198	1
28	Cross Head Nut	M2065196	2
29	Internal Circlip	M4008196	4

All manufacturer's names, numbers, photos, product description and/or part numbers are used for reference purposes only & it is not implied that any part listed is the product of these manufacturers. Since Approvement are made from time to time, the illustration and specifications are subject to change without notice.