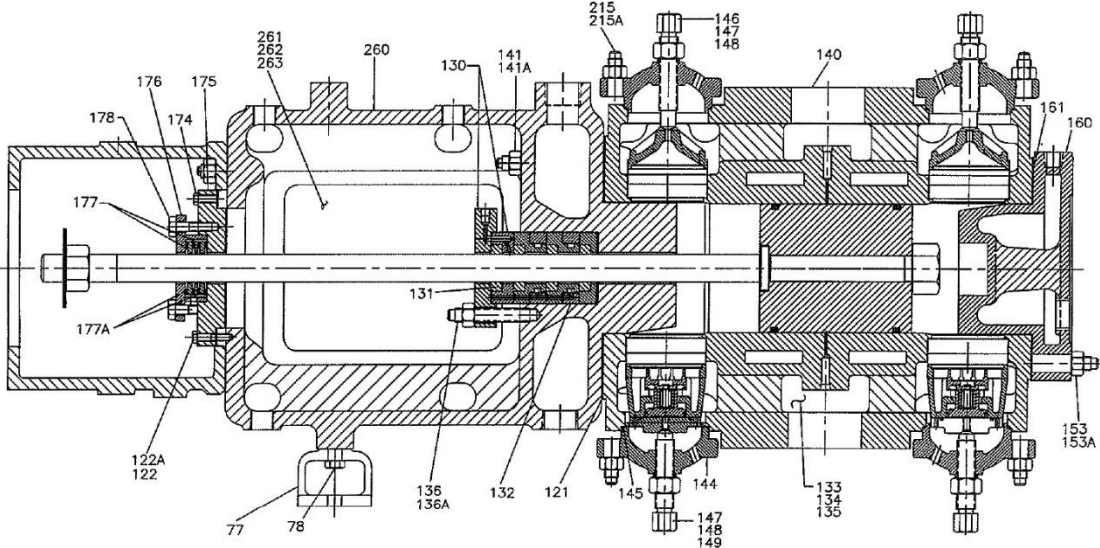


**6 FRAM HEAD ASSEMBLY - MODEL - 12 & 7 X 7 PHE7 NL**



## 6 FRAM HEAD ASSEMBLY - MODEL - 12 & 7 X 7 PHE7 NL

Sr.No	Description	Ref Part Nos	Qty
-	. . <b>ASSEMBLY HEAD FRM &amp; DIST PC</b>	<b>70268826</b>	1
6-260	. . . HEAD FRAME & DISTANCE PIECE 7X7 IHE	97065767	1
6-122	. . . STUD 3/4 X 3-1/4	95737417	8
6-122A	. . . NUT HEX 3/4 UNC ESV	95077822	8
6-136	. . . STUD 3/4IN X 4-1/4IN	95277091	4
6-136A	. . . NUT HEX 3/4 UNC ESV	95077822	4
-	. . . PLUG CO SUNK 1-1/2 NPT	95033270	2
-	. . . PLUG PIPE SQ.HD.1 NPT	95101044	2
-	. . . PLUG PIPE SQ.HD 1/2 NPT	95033619	4
-	. . . REDUCER 1-1/2IN X 1/2IN	95038188	2
6-121	. . . GASKET FRAME HEAD PHE	39550199	1
6-261	. . . COVER DISTANCE PIECE PROC	37133394	2
6-262	. . . GASKET COVER CORK	37068293	2
6-263	. . . SCREW CAP HEX 1/2INX 1IN	95104147	24
6-175	. . . PLATE PARTITION	37133402	1
6-174	. . . SCREW CAP HEX HEAD 3/8 X 1.5 " LG GRADE 5	95103792	4
6-176	. . . GLAND 7 STK ESH OIL SCRAPER	30477632	1
6-177	. . . RING SCRAPPER-1.5 INCH ROD	54491378IM	2
6-177A	. . . RING SCRAPPER-1.5 INCH ROD	54491386IM	1
6-178	. . . SCREW CAP HEX HEAD 1/2 X 1-3/4 LG , GR = 5	95104188	2
-	. . . ADAPTER PROC	37771870	2
-	. . . ELBOW MALE 1/4T X 1/4 NPT	70219795	2
-	. . . CONNECTOR MALE 1/4T X 1/4 NPT	70230487	2
-	. . . TUBE 1/4 X 0.035 SS SEAMLESS	94468261	2
-	. . . PLUG PIPE SQ.HD.3/4IN NPT	95002143	2
6-266	. . . FOOTPIECE IHE-3	97069520	1
6-267	. . . SCREW CAP HEX HEAD 5/8 X 2 H.T.	95035424	2
-	. . . ELBOW 1/4 FORGED	95069357	1
-	. . . NIPPLE HEX 1/4 BSP X 1/4 BSP	94465895	2
-	. . . REDUCER BUSHING 1/2 NPT X 1/4 NPT	95002044	1
-	. . <b>ASSEMBLY PACKING METALLIC 1.5" DIA ROD</b>	<b>70315304</b>	1
6-130	. . . PACKING CASE WATER COOLED 4 CUPS	42431791	1
6-131	. . . RING & SPRING SET 1-1/2INCH DIA	95322111IM	4
6-132	. . . GASKET PACKING CASE	30586127	1
-	. . . FILTER BREATHER 90-352605	37980620IM	1
-	. . . REDUCER BUSHING 3/4" X 1/4" NPT	95002085	1
-	. . <b>ASSEMBLY CYLINDER 7X5,7 ESH/V NL/L</b>	<b>70263348</b>	1
6-140	. . . CYLINDER 7 PHE-7 NL	39865555	1
6-141	. . . STUD 7/8IN X 6-3/4IN	95767588	8
6-141A	. . . NUT HEX 7/8IN	95210480	8
6-153	. . . STUD 7/8IN X 4-3/8IN	95684270	6
6-153A	. . . NUT HEX 7/8IN	95210480	6
6-215	. . . STUD 3/4 X 3-3/4	95684205	16
6-215A	. . . NUT HEX 3/4 UNC ESV	95077822	16
-	. . . PLUG PIPE SQ.HD 1/2 NPT	95033619	2
-	. . . PLUG PIPE SQ.HD. 1/4 NPT	95033593	4

## 6 FRAM HEAD ASSEMBLY - MODEL - 12 & 7 X 7 PHE7 NL

–	. . . NAMEPLATE	40036519	1
–	. . . SCREW MACHINE 0.114" X 0.25"	39175070	4
6-144	. . . COVER VALVE PROC	37133584	4
–	. . . GASKET VLV COVER CU SHROUDED	30550842	4
6-146	. . . SCREW SET HEX HEAD	30336457	2
6-147	. . . NUT HEX 1IN	95077749	2
6-148	. . . GASKET NUT (1/8 LEAD WIRE)	37759438	1
–	. . . PLUG PIPE SQ.HD. 1/4 NPT	95033593	2
–	. . . SCREW SET HEX HEAD	30572580	2
6-147	. . . NUT HEX 1IN	95077749	2
6-148	. . . GASKET NUT (1/8 LEAD WIRE)	37759438	1
–	. . . PLUG SQ.HD. 1/8 NPT	95033585	2
–	. . . FLANGE CLOSURE 3IN X 300#	97100754	2
–	. . . GASKET FLANGE 3IN X 300# 1/16IN THK	94475506	2
–	. . . SCREW CAP HEX HEAD 3/4 X 1	95104592	8
–	. . . COVER WATER CYLINDER	39535661	2
–	. . . GASKET WATER COVER PHE-7	39535638	2
–	. . . SCREW CAP HEX 1/2INX 1IN	95104147	12
–	. . <b>ASSEMBLY HEAD OUTER</b>	<b>70263322</b>	1
6-160	. . . HEAD OUTER 7 PROC	37134228	1
–	. . . PLUG PIPE SQ.HD 1/2 NPT	95033619	2
6-161	. . . GASKET OUTER HEAD PHE	39550090	1
–	. . . SCREW MACHINE 0.114" X 0.25"	39175070	4