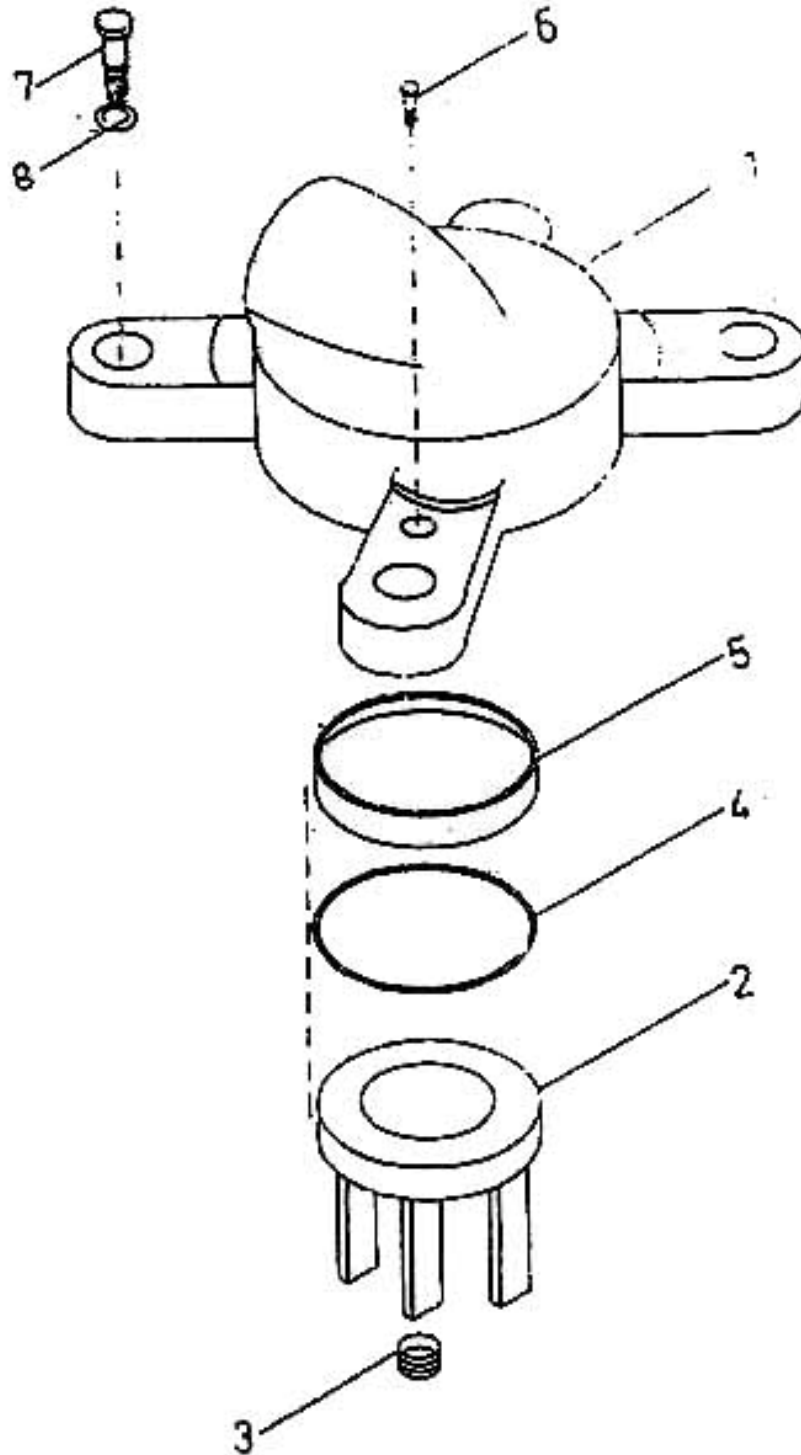


22. ASSEMBLY UNLOADER - MODEL 8 x 7 NL



All manufacturer's names, numbers, photos, product description and/or part numbers are used for reference purposes only & it is not implied that any part listed is the product of these manufacturers. Since Approvement are made from time to time, the illustration and specifications are subject to change without notice.

22. ASSEMBLY UNLOADER - MODEL 8 x 7 NL

No.	Description	Ref Part No.	QTY
–	Assembly Unloader	70265475	–
1	– Cage Unloader	34579789	1
2	– Plunger Unloader	30164255	1
3	– Spring Unloader	30673396	1
4	– "O" Ring	95027900	1
5	– Ring Piston Unloader	30613244	1
6	– Screw Machine	95261707	2
7	– Screw Cap Hex Head 5/16" X 1-3/4"	70212162	4
8	– Washer Spring 5/16"	95096145	4