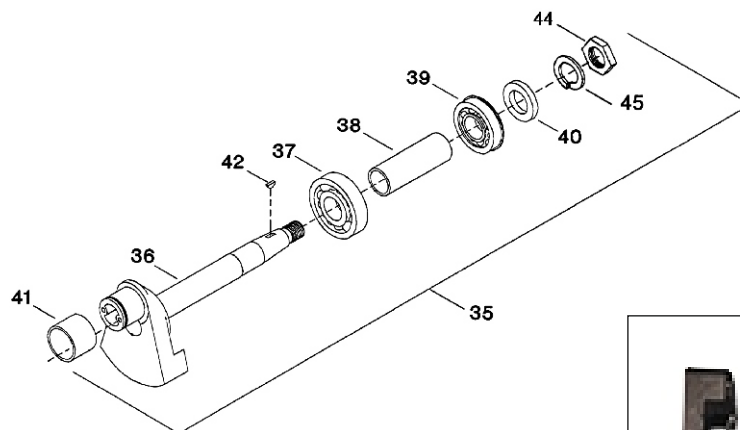


30211627* - ASSEMBLY CRANKSHAFT COMPLETE WITH BUSHING



No.	Description	Ref Part No.	QTY
1-35	Ass'y Crankshaft Complete With Bushing	30211627*	-
1-36	- Ass'y, Disc And Shaft	NSS	1
1-37	- Bearing Ball	95305652	1
1-38	- Spacer Main Bearing	30218432	1
1-39	- Bearing Ball - With Snap ring	95213971	1
1-40	- Ring, Bearing Retainer	30216808	1
1-41	- Bushing, Crankpin	37002375	1
1-42	- Key, woodruff	95047437	1
1-44	- Nut, V-Belt Wheel	30835698	1
1-45	- Lockwasher, Spring - 1-3/8"	95064747	1