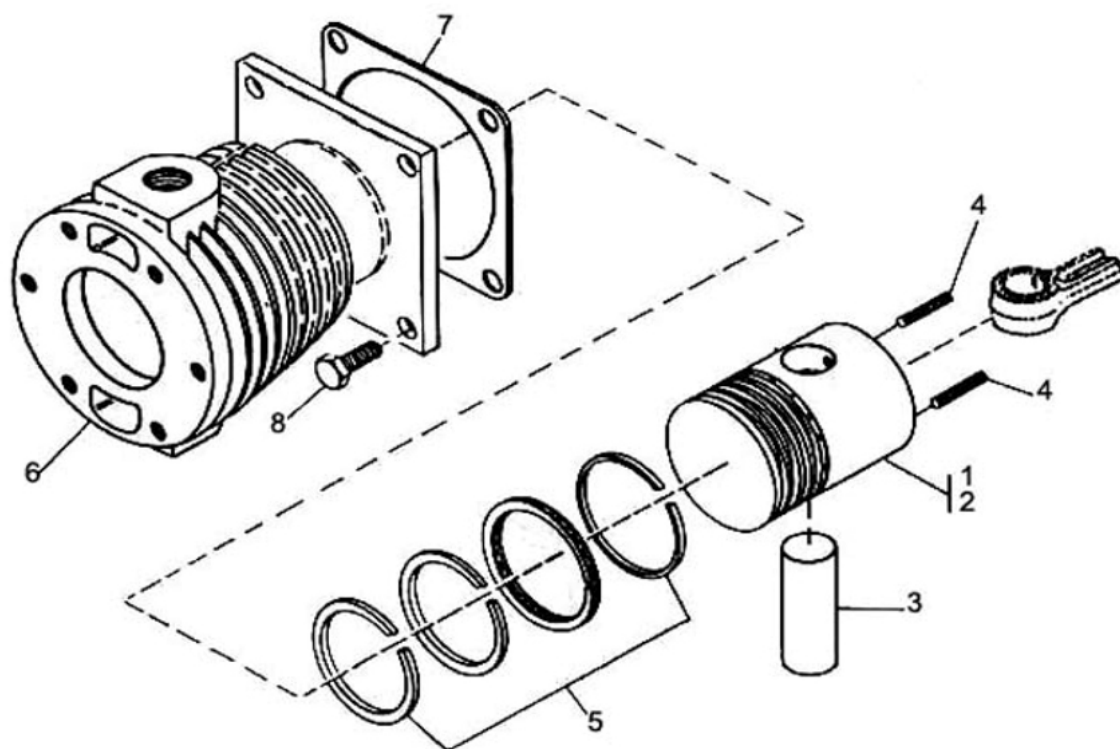


## 5. 3 INCH DIAMETER PISTON & CYLINDER ASSEMBLY - MODEL 71T2



All manufacturer's names, numbers, photos, product description and/or part numbers are used for reference purposes only & it is not implied that any part listed is the product of these manufacturers. Since Approvement are made from time to time, the illustration and specifications are subject to change without notice.

## 5. 3 INCH DIAMETER PISTON & CYLINDER ASSEMBLY - MODEL 71T2

No.	Description	Ref Part No.	QTY
5-1	Piston and rings complete	31517659	1
5-2	– Piston complete	30292460	1
5-3	– – Pin piston	30294029	1
5-4	– – Setscrew hollow head cup point	95065439	2
5-5	– Set Piston ring	32015133	1
5-6	Cylinder complete	30212112	1
5-7	– Gasket cylinder flange	30294235	1
5-8	Screw cap 1/2 X 1 1/4	95053575	4