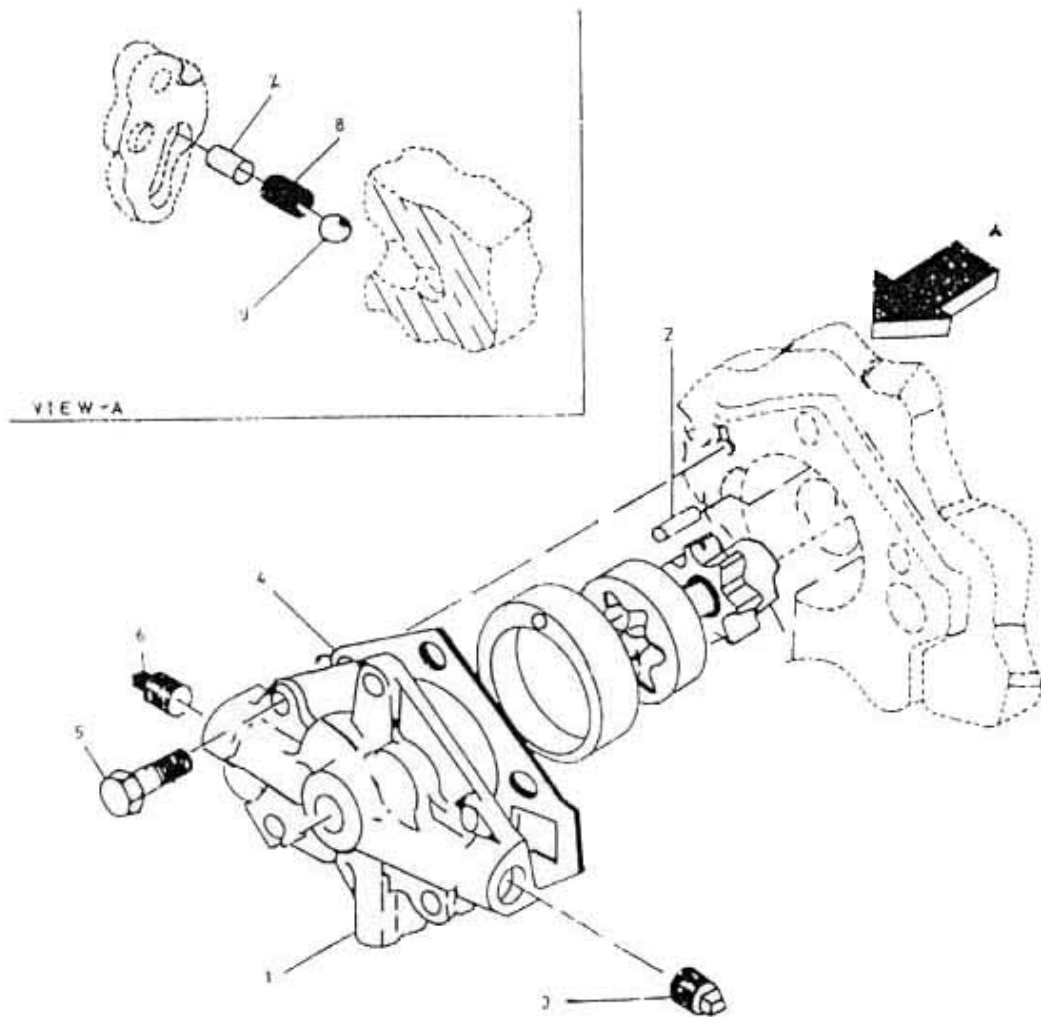


6. ASSEMBLY OIL PUMP COVER - MODEL 8 x 5 LUB



All manufacturer's names, numbers, photos, product description and/or part numbers are used for reference purposes only & it is not implied that any part listed is the product of these manufacturers. Since Approvement are made from time to time, the illustration and specifications are subject to change without notice.

6. ASSEMBLY OIL PUMP COVER - MODEL 8 x 5 LUB

| No. | Description | Ref Part No. | QTY |
|-----|--------------------------------|--------------|-----|
| 1 | Cover Oil Pump With Bush | 39863683 | 1 |
| 7 | Dowel Pin - Oil Pump 1/4" X 1" | 95033825 | 1 |
| 3 | Plug Pipe Sq. Hd 1/2" | 95033619 | 1 |
| 4 | Gasket Cover Oil Pump | 30205280 | 1 |
| 5 | Bolt Hex Head 7/16" X 1" | 95104006 | 5 |
| 6 | Plug Counter Shunk 3/8" | 95101705 | 1 |
| 2 | Pin Roll 5/16" X 1" | 95098653 | 1 |
| 8 | Spring Valve Relief | 30508741IM | 1 |
| 9 | Ball Relief Valve 1/2" | 95226627 | 1 |

All manufacturer's names, numbers, photos, product description and/or part numbers are used for reference purposes only & it is not implied that any part listed is the product of these manufacturers. Since improvement are made from time to time, the illustration and specifications are subject to change without notice.