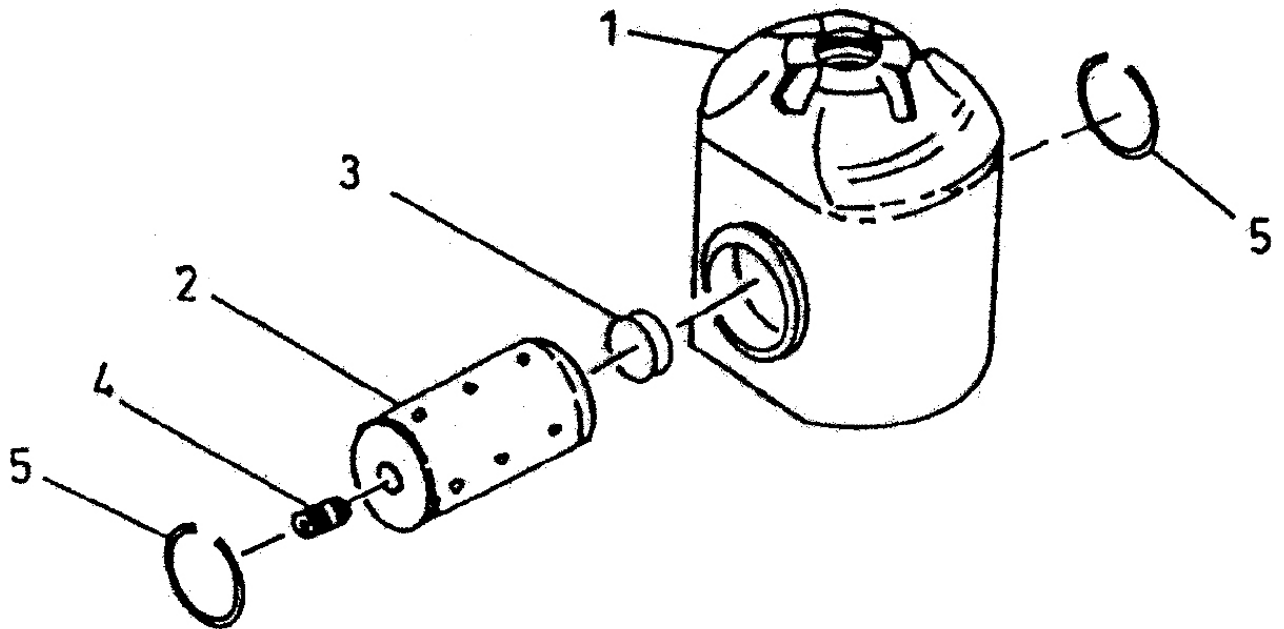


8 - ASSEMBLY CROSSHEAD - IR - MODEL - 4 x 5 ESV NL



8 - ASSEMBLY CROSSHEAD - IR - MODEL - 4 x 5 ESV NL

Sr.No	Description	Ref Part Nos	Qty
8-51	. . ASSEMBLY CROSSHEAD 5" ESV	37046406	–
8-1	. . . CROSSHEAD 5" STROKE ESV	30559728	1
8-53	. . . ASSEMBLY PIN X HEAD SSTK ESV	37026291	1
8-2 PIN CROSSHEAD	34579342	1
8-3 PLUG XHD PIN ESV	30569008	1
8-4 PLUG 1/4	95250932	1
8-5	. . . RING RETAINER 5 STK	30576144IM	2
–	. . CLOSURE OIL FILTER CAP PHE/ESV	94472792	1