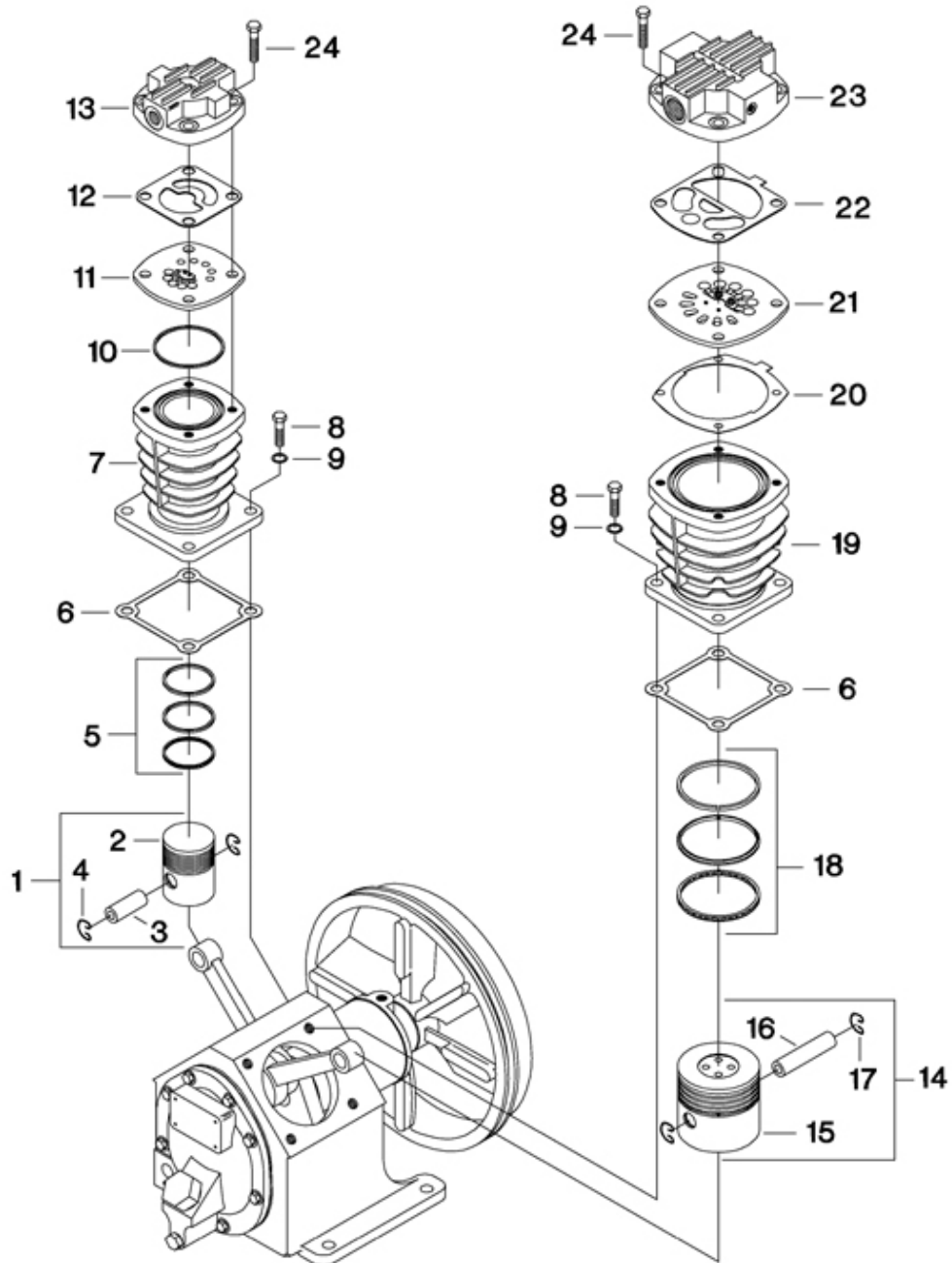


4. BARE COMPRESSOR - MODEL 2475



All manufacturer's names, numbers, photos, product description and/or part numbers are used for reference purposes only & it is not implied that any part listed is the product of these manufacturers. Since Approvement are made from time to time, the illustration and specifications are subject to change without notice.

4. BARE COMPRESSOR - MODEL 2475

No.	Description	Ref Part No.	QTY
4-1	Piston, Air - Complete - 2.5" High Pressure	32496598	1
4-2	– Piston - Air -2.5"	NSS	1
4-3	– Pin, Piston	30287783	1
4-4	– Ring, Lock	30298020	2
4-5	Set, Piston Ring - 2.5"	32307910	1
4-6	Gasket, Cylinder/Flange	32247868	2
4-7	Cylinder - 2.5" - High Pressure	32247652	1
4-8	Capscrew, Hex - 1/2-13 X 1-1/4"	95053567	8
4-9	Gasket, Copper - 1/2"	95674701	8
4-10	O-Ring, Valve Plate - High Pressure	32246878	1
4-11	Assembly, Valve Plate - High Pressure(Fig.2)	32310799	1
4-12	Gasket, Airhead - High Pressure	32247926	1
4-13	Airhead - High Pressure	32247827	1
4-14	Piston, Air-Complete- 4" Low Pressure	32496564	1
4-15	– Piston - Air -4"	NSS	1
4-16	– Pin, Piston	30288393	1
4-17	– Ring, Lock	30298020	2
4-18	Set, Piston Ring - 4"	32307928	1
4-19	Cylinder - 4" - Low Pressure	32293540	1
4-20	Gasket, Valve Plate - Low Pressure	32248197	1
4-21	Assembly, Valve Plate - Low Pressure(Fig.3)	32248205	1
4-22	Gasket, Airhead - Low Pressure	32248189	1
4-23	Airhead - Low Pressure	32293557	1
4-24	Capscrew, Hex - 1/2-13 X 1-3/4"	95104188	8