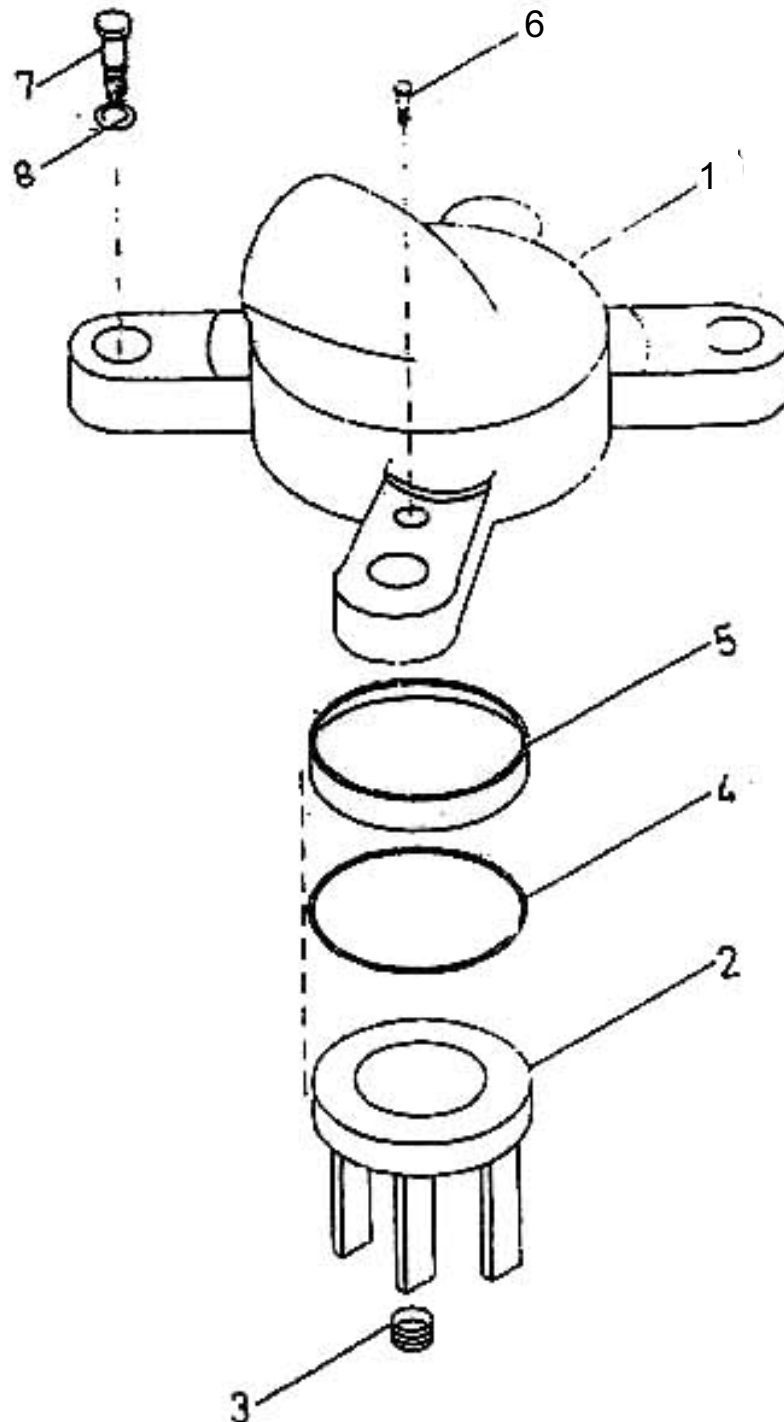


22. ASSEMBLY UNLOADER - MODEL 7 x 5 NL



All manufacturer's names, numbers, photos, product description and/or part numbers are used for reference purposes only & it is not implied that any part listed is the product of these manufacturers. Since Approvement are made from time to time, the illustration and specifications are subject to change without notice.

22. ASSEMBLY UNLOADER - MODEL 7 x 5 NL

No.	Description	Ref Part No.	QTY
–	Assembly Unloader	70265434	–
1	– Cage Unloader	31327190	1
2	– Plunger Unloader	30615751	1
3	– Spring Unloader	31163637	1
4	– "O" Ring 1-1/4" X 1-1/2" X 1/8"	95018164	1
5	– Ring Piston Unloader	30613236	1
6	– Screw Machine	95261707	2
7	– Screw Cap Hex Head 5/16" X 1-3/4"	70212162	4
8	– Washer Spring 5/16"	95096145	4

All manufacturer's names, numbers, photos, product description and/or part numbers are used for reference purposes only & it is not implied that any part listed is the product of these manufacturers. Since Improvement are made from time to time, the illustration and specifications are subject to change without notice.