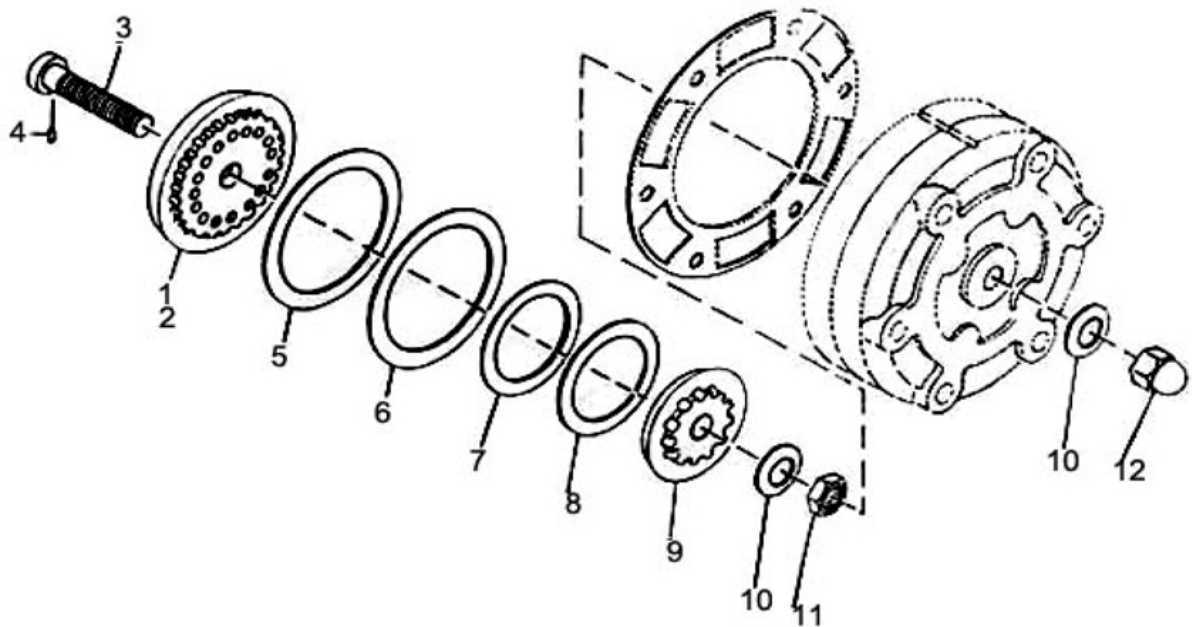


4. 55 GA CONCENTRIC RING VALVE ASSEMBLY - MODEL 71T2



All manufacturer's names, numbers, photos, product description and/or part numbers are used for reference purposes only & it is not implied that any part listed is the product of these manufacturers. Since Approvement are made from time to time, the illustration and specifications are subject to change without notice.

4. 55 GA CONCENTRIC RING VALVE ASSEMBLY - MODEL 71T2

No.	Description	Ref Part No.	QTY
4-1	Valve complete	37101946	1
4-2	– Seat discharge valve	30217673	1
4-3	– Bolt valve	30279897	1
4-4	– – Pin bolt	30289631	1
4-5	– Spring inlet valve	30221550	1
4-6	– Plate inlet valve	30215891	1
4-7	– Plate discharge valve	30181499	1
4-8	– Spring discharge valve	30221501	1
4-9	– Plate discharge valve stop	30218978	1
4-10	– Washer spring belleville	37092897	2
4-11	– Nut Hex	95076816	1
4-12	– Nut Acorn	30287650	1