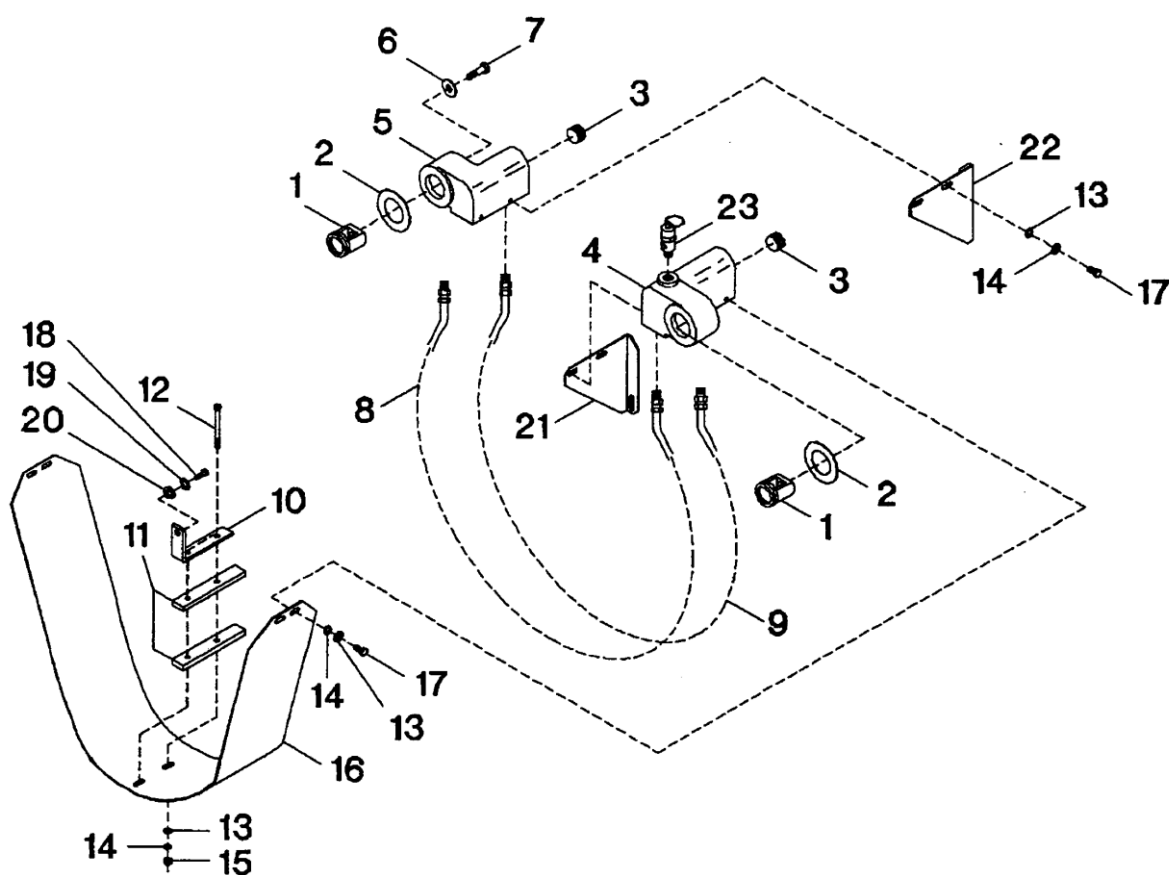


## 8. INTERCOOLER ASSEMBLY - MODEL 5T2NL



All manufacturer's names, numbers, photos, product description and/or part numbers are used for reference purposes only & it is not implied that any part listed is the product of these manufacturers. Since Approvement are made from time to time, the illustration and specifications are subject to change without notice.

## 8. INTERCOOLER ASSEMBLY - MODEL 5T2NL

No.	Description	Ref Part No.	QTY
8-1	Connection, Manifold	32225948	2
8-2	Gasket, Manifold	30294821	2
8-3	Plug, Pipe - Countersunk	32179004	2
8-4	Manifold, Intercooler - Low Pressure	32222572	1
8-5	Manifold, Intercooler - High Pressure	32222580	1
8-6	Washer, Copper - 12mm	32225328	2
8-7	Capscrew - M12 X 35	32225252	2
8-8	Assembly, Tube - Completet	32241556	3
8-9	Assembly, Tube - Completet	32241564	3
8-10	Brace, Intercooler Clamp	32226284	1
8-11	Clamp, Intercooler Tube	32018616	2
8-12	Capscrew - M6 X 80	32225278	2
8-13	Washer, Flat - 6mm	32225310	10
8-14	Washer, Lock - 6mm	32225302	10
8-15	Nut, Hex - 6mm	32225294	2
8-16	Shroud, Intercooler	32018590	1
8-17	Capscrew - M6 X 12	32225229	8
8-18	Capscrew - M8 X 12	32225245	1
8-19	Washer, Flat - 8mm	32226086	1
8-20	Washer, Lock - 8mm	32226094	1
8-21	Brace, Beltguard - Low Pressure Side	32002040	1
8-22	Brace, Beltguard - High Pressure Side	32002032	1
8-23	Valve, Safety - 60 Psig	72062151	1