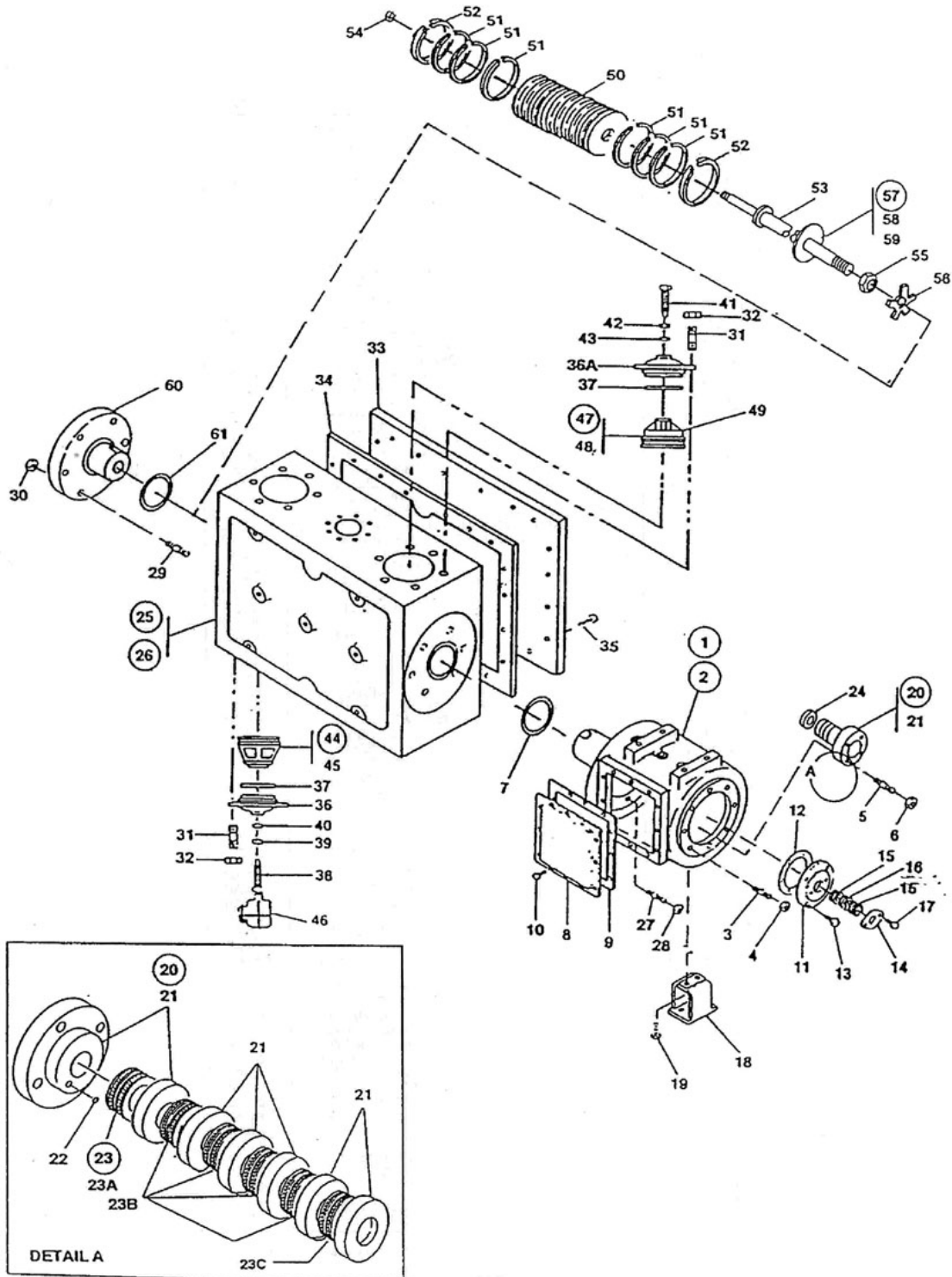


7. AIR END COMPLETE 4" - MODEL 7 & 4 X 7 PHE NL



7. AIR END COMPLETE 4" - MODEL 7 & 4 X 7 PHE NL

No.	Description	Ref Part No.	QTY
5A-1	– Piece-Fr Hd & Dist Compl	39650023	1
5A-2	– – Piece-Fr Hd & Dist PC Assy	39650031	1
5A-3	– – – Stud - Frame Head	95737417	8
5A-4	– – – Nut	95077822	8
5A-5	– – – Stud Packing	95903332	4
5A-6	– – – Nut	95077822	4
5A-*	– – – Pipeplug	95033270	4
5A-*	– – – Pipeplug	95101044	2
5A-*	– – – Pipeplug	95033619	2
5A-*	– – – Pipeplug	95002143	5
5A-7	– – Gasket - Frame Hd	39486204	1
5A-8	– – Cover - Dist Piece	37133394	2
5A-9	– – Gasket - Cover	37068293	2
5A-10	– – Capscrew - Cover	95104147	24
5A-11	– – Plate - Partition	37133402	1
5A-12	– – Gasket - Part Plate	37123171	1
5A-13	– – Capscrew - Part Plate	95103792	4
5A-14	– – Gland-Oil Scraper	30477632	1
5A-15	– – Ring-Scraper	95009197	2
5A-16	– – Ring-Scraper	95045936	1
5A-17	– – Capscrew - Gland	95104188	2
5A-18	– – Foot- Dist PC	97073118	1
5A-19	– – Capscrew - Foot	95104436	2
5A-*	– – Strainer - Water Inlet	37073194	1
5A-20	– Packing - Case & Rings	39691266	1
5A-21	– – Case Packing	39556600	1
5A-22	– – – O-Ring	95018008	10
5A-23	– – Ring & Spring Set	39494588	1
5A-23A	– – Ring & Spring - Tangent / Tangent	NSS	1
5A-23B	– – Ring & Spring - Radial / Tangent	NSS	4
5A-23C	– – Ring & Spring - Breaker Ring	NSS	1
5A-24	– – Gasket Packing	30586127	1
5A-25	– Cylinder complete	39648233	1
5A-26	– – Cylinder Assembly	39649819	1
5A-26A	– – – Cylinder	37449543	NSS
5A-27	– – – Stud Frame Head	95866976	6
5A-28	– – – Nut	95210480	6
5A-29	– – – Stud Outer Head	95811691	6
5A-30	– – – Nut	95210480	6

All manufacturer's names, numbers, photos, product description and/or part numbers are used for reference purposes only & it is not implied that any part listed is the product of these manufacturers. Since Approvement are made from time to time, the illustration and specifications are subject to change without notice.

7. AIR END COMPLETE 4" - MODEL 7 & 4 X 7 PHE NL

No.	Description	Ref Part No.	QTY
5A-31	--- Stud Valve Cover	95594081	24
5A-32	--- Nut	95210480	24
5A-33	--- Cover Water	39839436	2
5A-34	--- Gasket Wtr Cover	39568787	2
5A-35	--- Capscrew Wtr Cover	95104410	42
5A-*	--- Pipeplug	95033593	2
5A-*	--- Pipeplug	95033619	4
5A-*	-- Gasket - Valve Seat	SEE FIG. 6A&7A	4
5A-36	-- Cover - Inlet Valve	37575339	2
5A-36A	-- Cover - Disch Valve	37575198	2
5A-37	-- Gasket - Valve Cover	37038064	4
5A-38	-- Setscrew - Inlet	33949256	2
5A-39	-- Nut - Setscrew	31163017	2
5A-40	-- Gasket - Nut	30350912	2
5A-41	-- Setscrew - Discharge	37656238	2
5A-42	-- Nut - Setscrew	31375496	2
5A-43	-- Gasket - Nut	30351068	2
5A-*	-- Pipeplug	95033593	2
5A-*	-- Holder - valve	31253834	1
5A-44	- Valve - Inlet & Fau	42365809	2
5A-45	-- Valve - Inlet	39552757	2
5A-45A	-- Fau	42365817	1
5A-46	- UL-90 Outside operated Assembly	42365833	1
5A-47	- Valve - Crb & Disch Assy	42384982	2
5A-48	-- Valve - Disch	39570585	1
5A-49	-- Crab - Valve	37352085	1
5A-*	-- Screw - Machine	95111217	2
5A-*	-- Washer - Lock	95805479	2
5A-50	- Piston	39550264	1

All manufacturer's names, numbers, photos, product description and/or part numbers are used for reference purposes only & it is not implied that any part listed is the product of these manufacturers. Since Approvement are made from time to time, the illustration and specifications are subject to change without notice.

7. AIR END COMPLETE 4" - MODEL 7 & 4 X 7 PHE NL

No.	Description	Ref Part No.	QTY
5A-51	– Ring - Piston	39183876	6
5A-52	– Ring - Wearing	39486527	2
5A-53	– Rod - Piston	37575750	1
5A-54	– Nut - Piston	34578799	1
5A-55	– Nut - Xhead Jam	30565675	1
5A-56	– Washer - Lock	30589568	1
5A-57	– Plate - Oil Stop Complete	37802279	1
5A-58	– – Plate - Oil Stop	30253025	1
5A-59	– – Clamp	95235131	1
5A-60	– Head - Outer	94443561	1
5A-61	– Gasket - Outer Head	39486204	1

All manufacturer's names, numbers, photos, product description and/or part numbers are used for reference purposes only & it is not implied that any part listed is the product of these manufacturers. Since Approvement are made from time to time, the illustration and specifications are subject to change without notice.