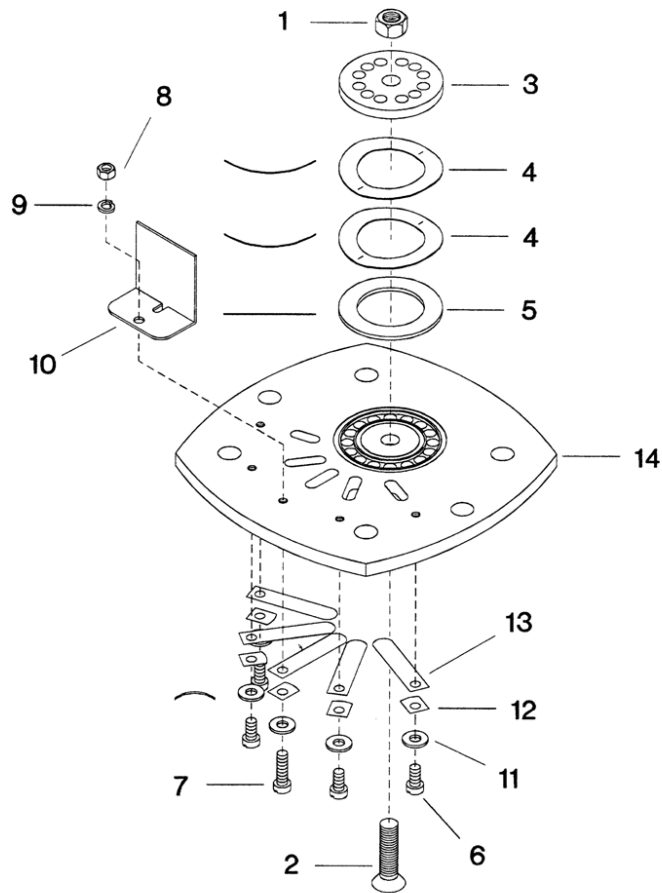


32228322 - ASSEMBLY 2nd STAGE VALVE PLATE



| No. | Description | Ref Part No. | QTY |
|------|---|-----------------|-----|
| - | Assembly Second Stage Valve Plate | 32228322 | - |
| 3-1 | - Nut, Whiz-Lock - 7/16 - 14 Hex | 97166946 | 1 |
| 3-2 | - Bolt, Valve | 32223927 | 1 |
| 3-3 | - Plate, Stop - Discharge | 32228264 | 1 |
| 3-4 | - Spring, Valve - Discharge | 30221394 | 2 |
| 3-5 | - Plate, Valve - Discharge | 30215917 | 1 |
| 3-6 | - Screw, Fillister Head - 1/4-20 X 3/8" | 32035511 | 4 |
| 3-7 | - Screw, Machine - Fillister Head-1/4-20 X 3/4" | 32224008 | 1 |
| 3-8 | - Nut, Hex - 1/4 - 20 | 95416335 | 1 |
| 3-9 | - Lockwasher, Spring - 1/4" | 32035479 | 1 |
| 3-10 | - Diffuser, Valve plate | 32223919 | 1 |
| 3-11 | - Washer, Belleville - 1/4" | 32217382 | 5 |
| 3-12 | - Retainer, Finger Valve | 32228306 | 5 |
| 3-13 | - Valve, Finger | 30220115 | 5 |
| 3-14 | - Plate, Valve Seat | 32228256 | 1 |