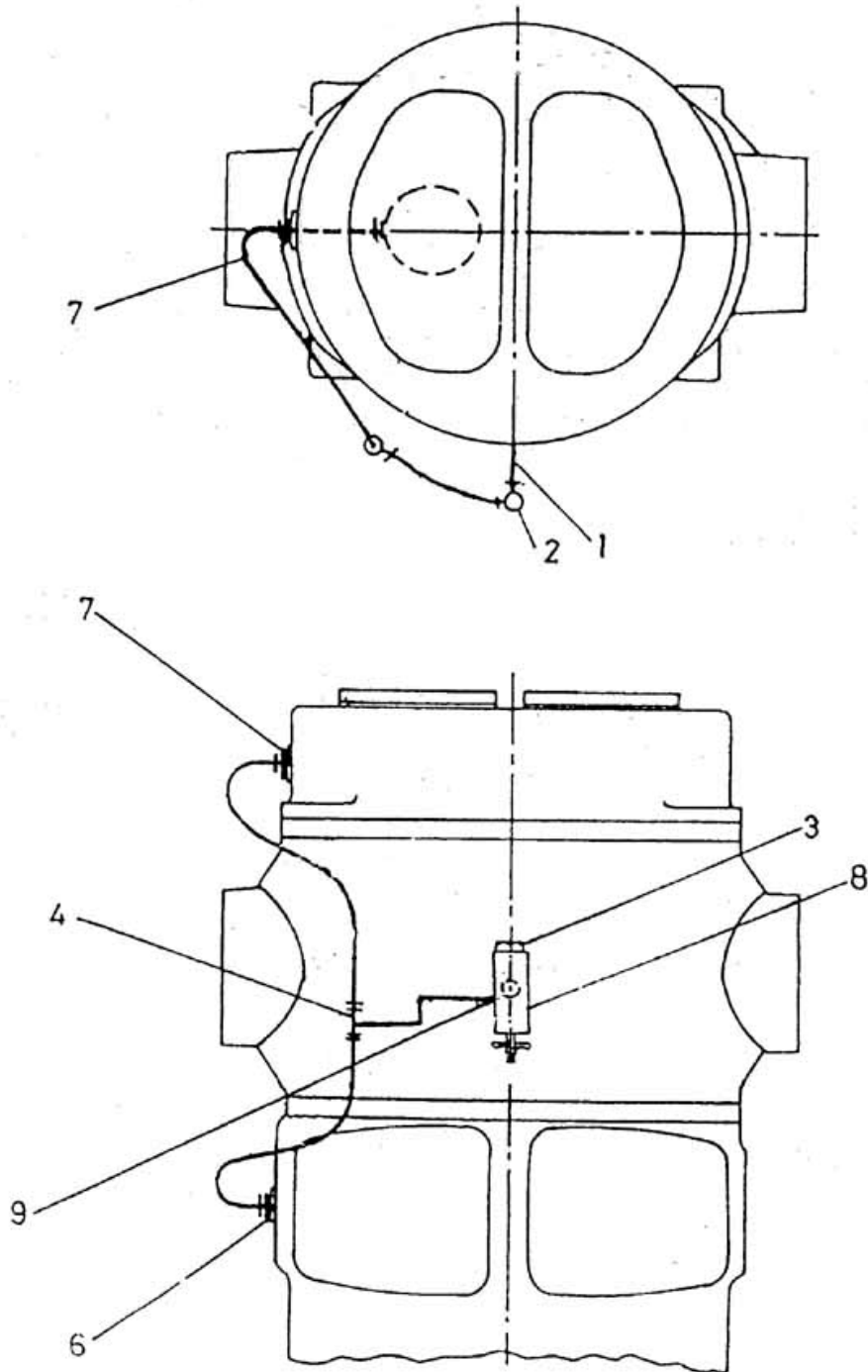


27. ASSEMBLY UNLOADER PIPING - MODEL 7 x 5 NL



All manufacturer's names, numbers, photos, product description and/or part numbers are used for reference purposes only & it is not implied that any part listed is the product of these manufacturers. Since Approvement are made from time to time, the illustration and specifications are subject to change without notice.

27. ASSEMBLY UNLOADER PIPING - MODEL 7 x 5 NL

| No. | Description | Ref Part No. | QTY |
|-----|---------------------------------|--------------|-----|
| 1 | Stud Valve Aux | 30762678 | 1 |
| 2 | Tee Reducing 1/2" X 1/2" X 3/8" | 97057848 | 1 |
| 3 | Reducer Bushing 1/2" X 1/4" | 95002044 | 1 |
| 4 | Tee Union 3/8" X 3/8" X 3/8" | 70316609 | 1 |
| 5 | Connector Male 3/8" X 1/8" | 70316641 | 2 |
| 6 | Fitting Tank | 70409198 | 2 |
| 7 | Tube | 70220355 | 10 |
| 8 | Valve Auxiliary | 94465002 | 1 |
| 9 | Plug Pipe Sq. Head 1/2" | 95033619 | 1 |
| - | Elbow Male 3/8" X 1/8" | 70316625 | 1 |