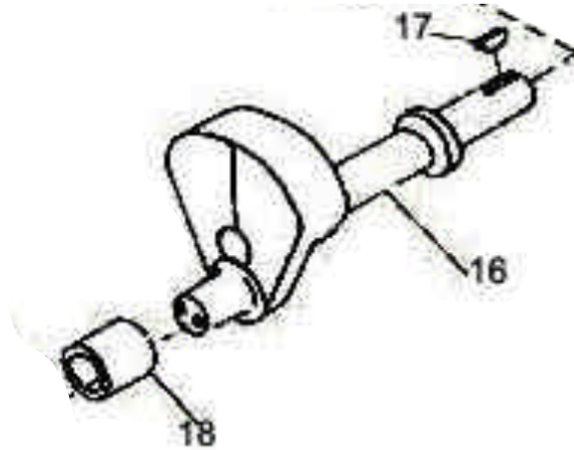


# 32027757\* - CRANKSHAFT ASSEMBLY WITH BUSHING



No.	Description	Ref Part No.	QTY
2-16	Crankshaft Assy With Bushing 253	32027757*	-
2-17	- Key - Woodruff	95433173	1
2-18	- Bushing - Crankpin	30210165	1